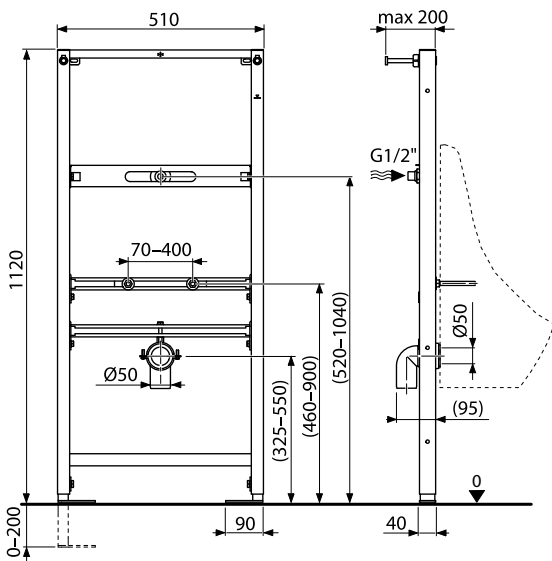
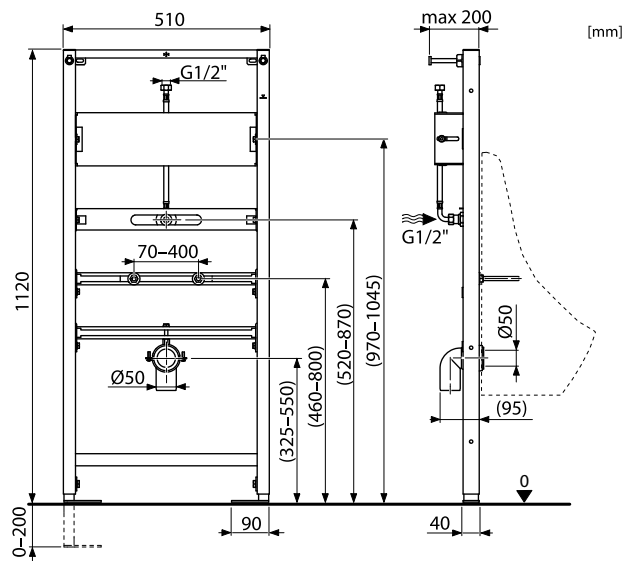




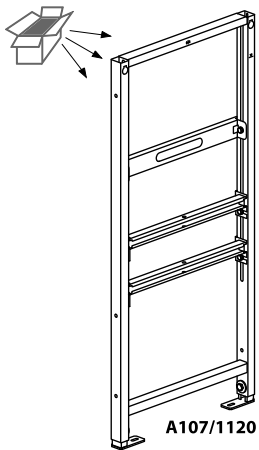
A107/1120 ■ A107S/1120



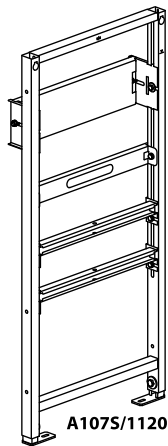
A107/1120



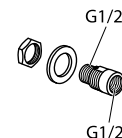
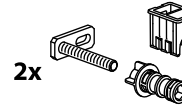
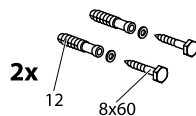
A107S/1120



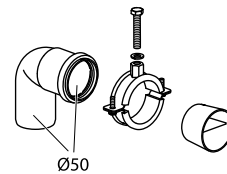
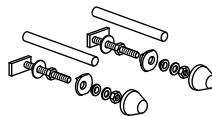
A107/1120



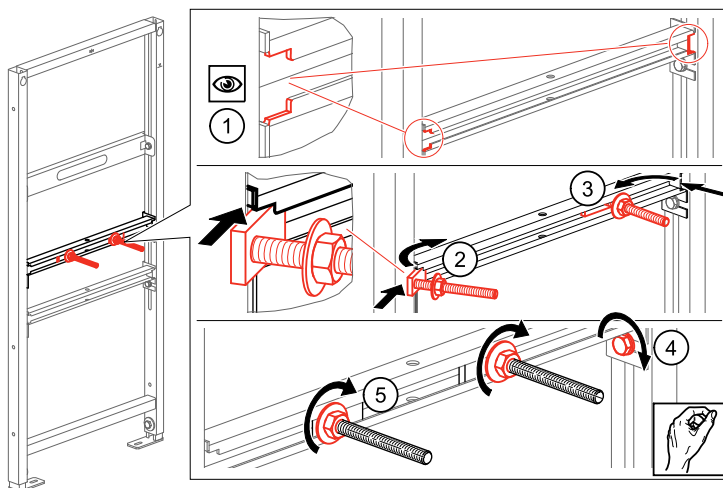
A107S/1120



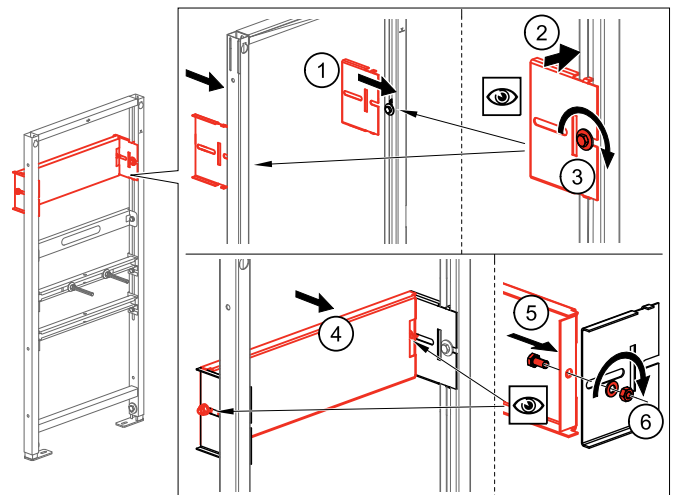
A107S/1120



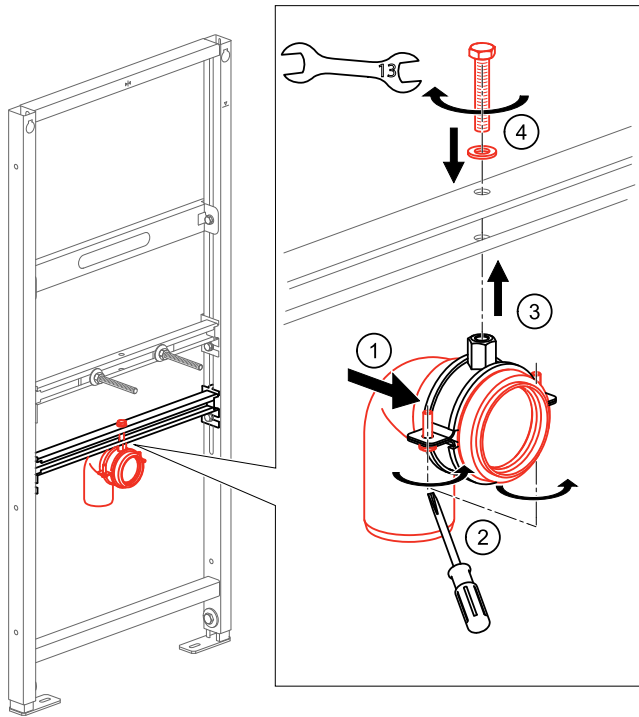
1 A107/1120 A107S/1120



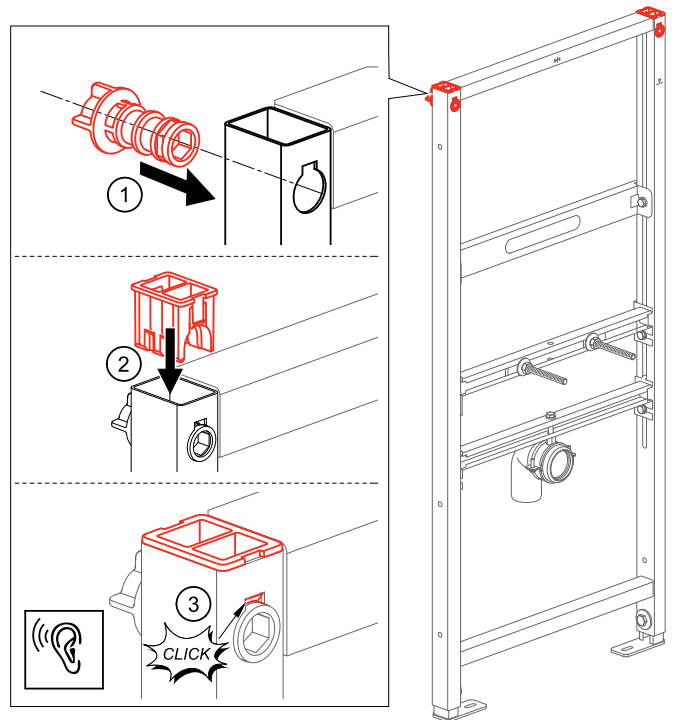
A107S/1120



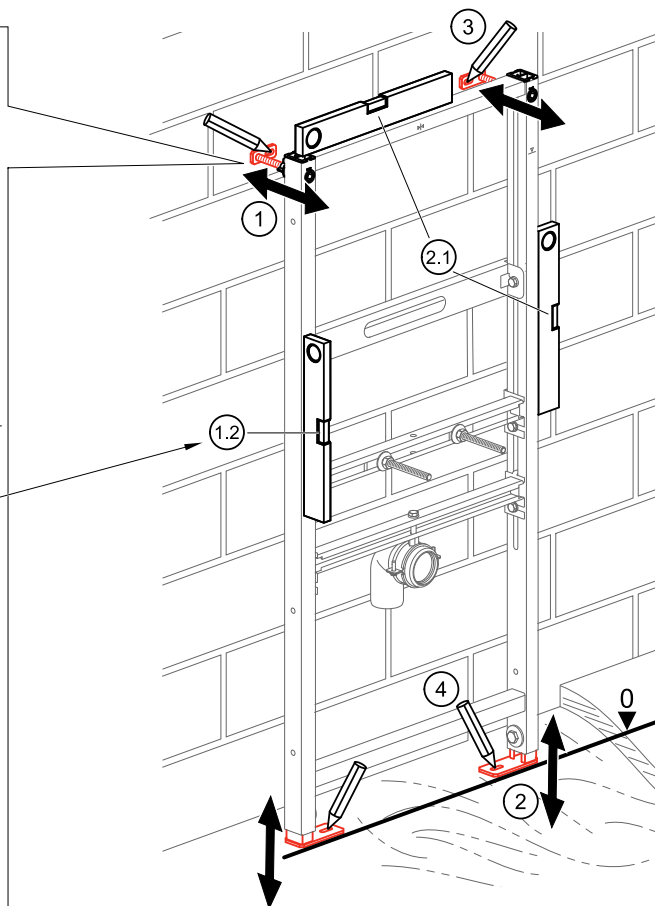
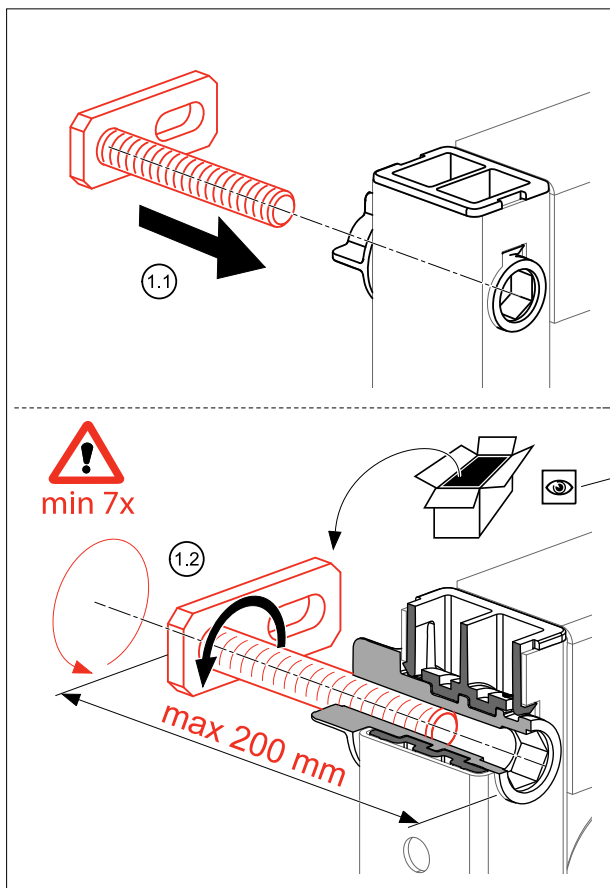
2



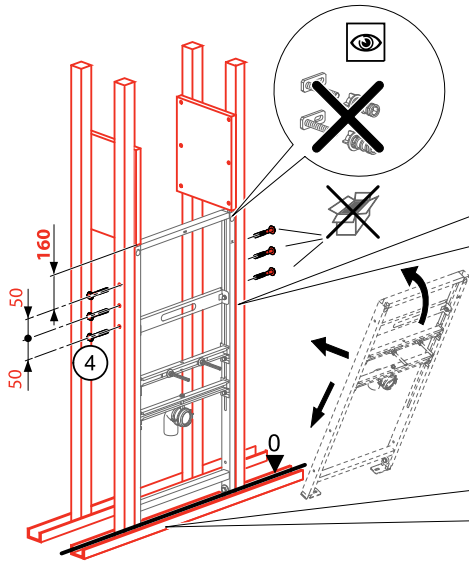
3



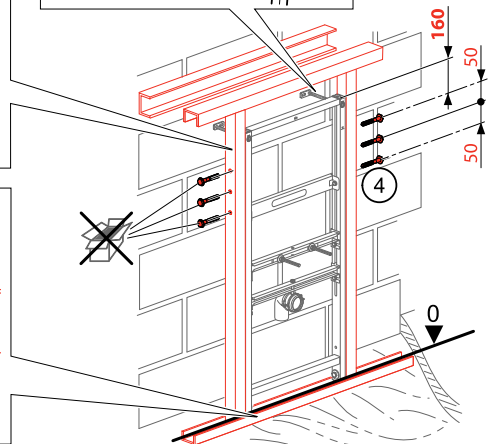
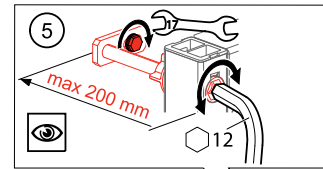
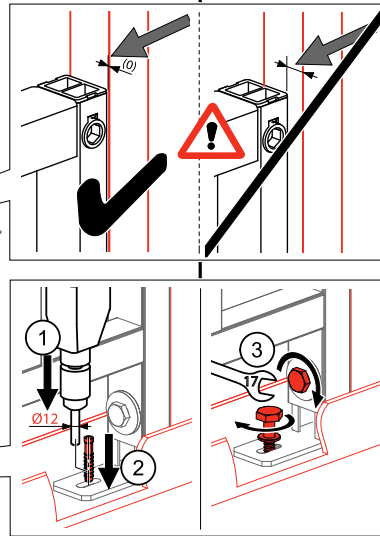
4



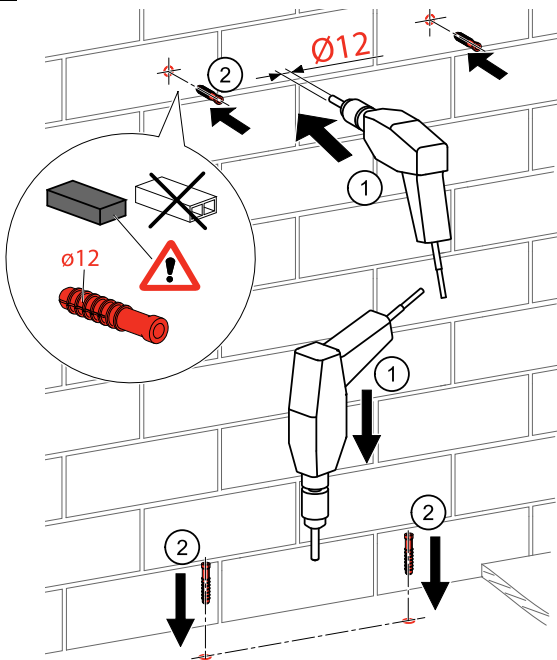
4-1



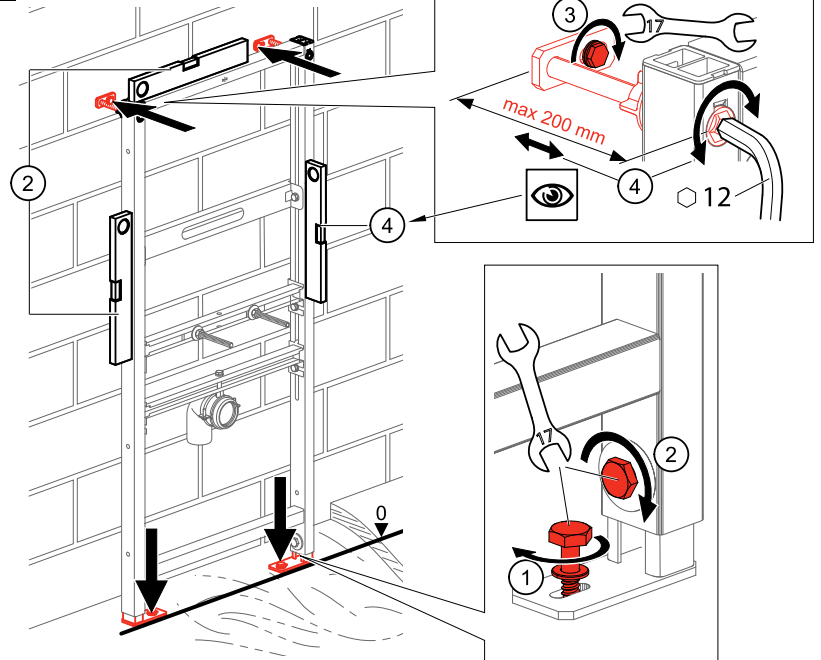
4-2



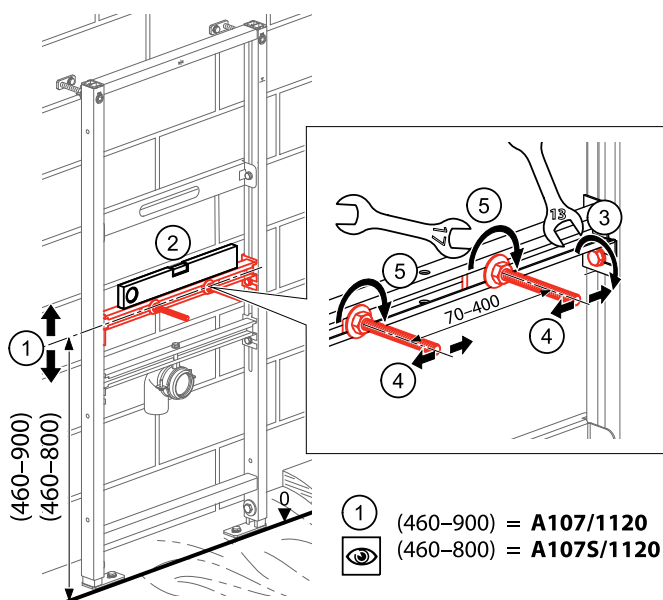
5



6



7



8

