



Technical manual.
Wash basin fittings. By SCHELL.



Everything according to plan. With SCHELL.



product
design
award
2010

DESIGN PLUS



reddot design award
winner 2014



DESIGNPREIS
2012
MÜNCHEN



Focus Open
2010



kiwa



BELGAQUA



GL Systems Certification

Are you planning a public, semi-public or commercial sanitary room? And would like to have specific information about the appropriate fittings? Then you are at the right place with SCHELL. As a leading specialist for non-privately used sanitary rooms, we offer not just top-quality and multi-award-winning fitting technology "Made in Germany", you will also receive all necessary information in the brochure to aid your planning with SCHELL wash basin fittings. This starts with important information about applicable standards and direc-

tives as well as examples about savings to detailed product information. Also use our specification documents to be found at www.ausschreiben.de.

And if you have any queries about our products, don't hesitate to call us. We are more than happy to help.

Telephone +49 (0) 27 61 8 92-0
www.schell.eu

Technical manual.

Wash basin fittings. By SCHELL.

Table of contents	Page
Planning tips	6
Wash basin draw-off taps	
<i>Contact-free control using infrared sensors</i>	19
PURIS E	20
VENUS E	24
CELIS E	28
<i>Self-closing control using piezoelectric technology</i>	33
TIPUS P	34
<i>Self-closing control using cartridge technology</i>	39
PURIS SC	40
PETIT SC	44
<i>Manually controlled via single-lever mixer</i>	49
PURIS Line	50
Wall-mounted draw-off taps	
<i>Self-closing control using cartridge technology</i>	55
PETIT SC	56
LINUS W-SC	60
<i>Manually controlled via single-lever mixer</i>	65
LINUS W-EH-M	66
Components for wash basins.	
Angle valve thermostat	74
Mounting modules	76
Angle valves (angle valve with filter, design angle valve)	78
Wash basin outlet valves and siphons	80
Further information	82
Key	84



Top-quality and comprehensive: our solutions for all aspects relating to the wash basin.



If you wish to set the trend: Wall-mounted draw-off taps by SCHELL.

Inside SCHELL.

SCHELL responds with robust, hygienic and resource-efficient solutions wherever they are needed, such as in public, semi-public and commercial sanitary rooms that experience high numbers of users;

Our special solutions can be found all across the world e.g. in

- Schools
- Nurseries
- Hotels
- Gastronomy
- Hospitals
- Residential nursing homes
- Industry
- Administrative buildings
- Airports
- Railway stations
- Motorway service stations
- Leisure facilities
- Sports facilities
- Bathrooms



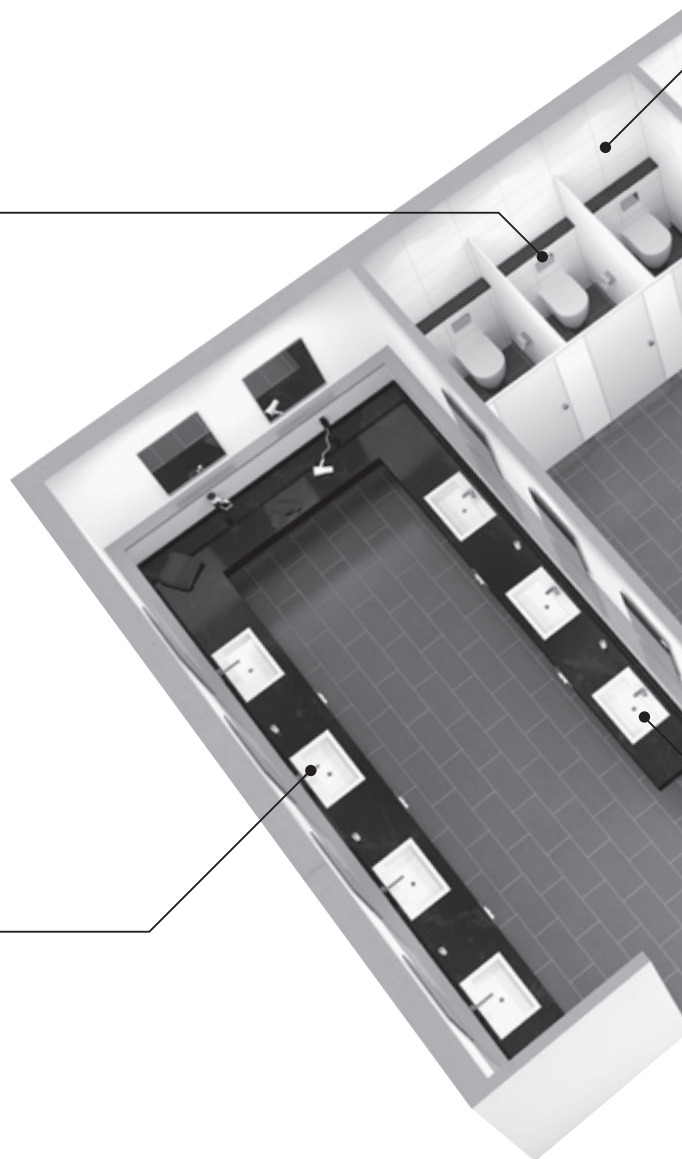
WC flush systems

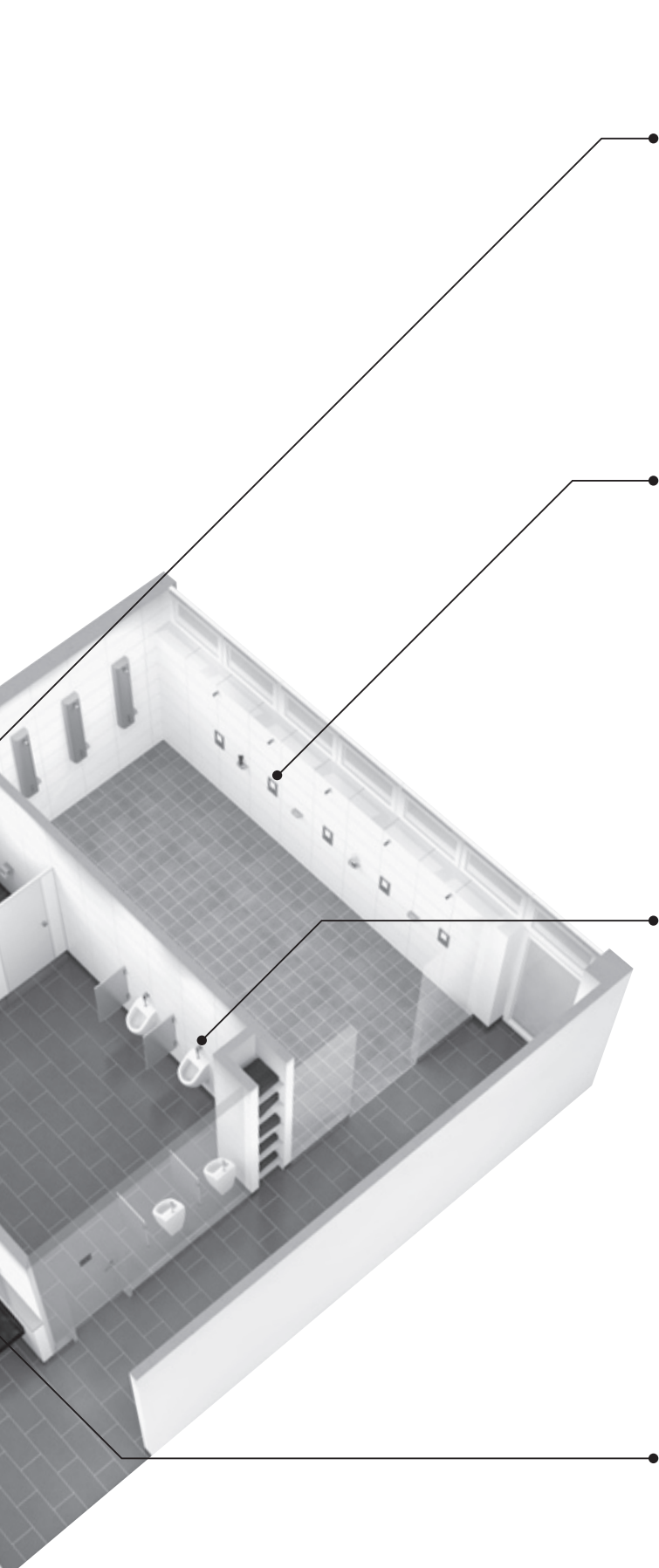
SCHELL satisfies even the highest of demands with its comprehensive system for water-saving and hygienic WC systems. From concealed or exposed flush valves to concealed cistern systems. These can be controlled mechanically or electronically as you choose. All in all, ideal prerequisites for both simple and speedy retrofitting in renovation projects and for new-build installations. A perfect match: our assembly modules.



Sanitary draw-off taps

Water-saving, hygienic, robust, long-lasting and good to look at too – this is what makes washbasin draw-off taps from SCHELL a cut above the rest. Available in different technical designs.





● **Mounting modules**

SCHELL offers a complete range of mounting modules. What these typify: Models for dry and wet construction, compliance with DIN 4109 (noise protection in building construction) and a considerable portion of innovative detailed solutions.



● **Shower fittings**

Showers in public, semi-public and commercial sanitary rooms are in continual use. Irrespective of being in a new or renovated building: High-quality materials and a well-thought out design help our shower fittings achieve a long-lasting, water-efficient and disruption-free service life under these demanding conditions.



● **Urinal flush systems**

These are in demand as concealed or exposed solutions: water-saving and hygienic urinal flush valves from SCHELL. Available as mechanical or electronic versions, they are suited for new builds or for the quick and easy retrofitting in renovation projects. Urinal flush systems from SCHELL: combined with our mounting modules, these make the perfect all-round solution.



● **Angle valves**

You can expect great things from Europe's market leader for all things relating to angle valve thermostats and siphons: water-saving technology, long-lasting quality, attractive design, safety features such as thermal disinfection and scald protection as well as the extensive range for the most diverse of applications in public, semi-public and commercial sanitary rooms.





More than just a water source. What you can expect from draw-off taps in general and in particular by SCHELL.

Public, semi-public and commercial sanitary rooms have specific requirements when it comes to fittings. Keyword: sustainability. As the planner, it is your responsibility to make the right choice in this matter. It is good to know what must be considered when comparing with private applications.

Water-saving technologies

Clean water has recently become a fundamental human right – however its availability across the world is very limited. SCHELL has been aware of its responsibility for a long time and thus uses technologies that enable anyone to save water effectively. SCHELL self-closing taps are just one prime example of how seriously the company takes this responsibility. The more so as the flow times can be individually adapted to suit the specific requirements of the system operator.

Meeting stringent hygiene standards

No matter whether you are talking about hospitals, schools or nurseries – hygiene in sanitary areas always plays a major role. To meet all requirements, SCHELL fittings offer numerous technical solutions such as contact-free actuation, stagnation flush and thermal disinfection. Irrespective of national or international level – all fittings comply with the technical specifications, current standards, guidelines and ordinance such as TrinkwV (drinking water ordinance).



Robust design and materials

Fittings in public, semi-public and commercial sanitary rooms are tested to the limit on a daily basis: whether it is due to a high usage frequency, user carelessness or contact with a diversity of cleaning agents. SCHELL products are best equipped for this with all-metal casings, smooth, easy-to-clean surfaces and durable components. Our products and processes are distinguished by the relevant quality and safety features: Product conformity has been confirmed by independent testing institutes.

Sophisticated and timeless design

Products from SCHELL have always epitomised stylish and functional design. Their purist forms enable them to be harmoniously integrated in sanitary rooms. An additional benefit: The more sophisticated the site and attractive the design of the fitting – the higher the threshold for vandalism. All the more reason to opt for the multi-award winning SCHELL products.

Easy to service and install

One criteria that should also be considered when choosing the right fitting: How easy is the fitting to install and service? SCHELL fittings comprise few components, are modular in design and ready made with the necessary accessories supplied. Perfect prerequisites for speedy installation, simple care and easy maintenance.

Everything you need to know particularly for planning...

Norms, building regulations, directives

When planning sanitary rooms, not only must standards and state building regulations be observed, but also directives issued by the legislator or relevant public authorities. Depending on the building project, various differing specifications are pertinent (e.g. hospital directives, gastronomy building directives etc.). In addition to these, the local building regulations and regulations from energy suppliers must be observed, although the wording of the individual directives varies from federal state to state. It is advisable to consult the local public authorities for the precise wording.

Assessment of fittings

VDI 3818 (public sanitary rooms) and **VDI 6000** (equipment and fittings for sanitary rooms) provide important specifications for assessing various fitting technologies in terms of water saving, hygiene, convenience and protection against vandalism. Another decisive factor for selecting the appropriate fitting is the fitting's surfaces. If these are smooth and even, they are better to clean. Furthermore, if the surfaces are made of metal or damage-resistant materials, these fittings are recommended for those locations where the risk of vandalism is very high.

Sanitary fittings from one single manufacturer should be installed for reasons of maintenance, stock of spare parts and additions. Preference should be given to contact-free controlled taps or self-closing taps, as these offer considerable potential for saving water and fulfil the highest hygiene requirements.

	Water-saving	Hygiene	Convenience	Vandalism protection
Contact-free tap	xxx	xxx	xxx	xx
Self-closing fitting	xx	xx	x	xxx
Single-lever mixer	x	x	x	xx
Outlet valve	x	x	x	xx

xxx: very good xx: good x: not as good

Source: VDI 6000-3 (Equipment and fittings for sanitary rooms)

Fitting designations

The designation of a fitting is structures as follows:

Example: **P-IX 19116/IZ** for CELIS E

P = Specified by the German Institute for Structural Engineering

PA = With washer

IX = Water installation fittings and appliances

XXX = Inspection number

I, II = Noise class

Z, A = Flow class

Water supply

To guarantee a hygienically clean water quality at all tap points, **DIN EN 806** (technical rules for drinking water installations) contains specifications for planning and operating drinking water installations. If these specifications and the regulations for metallic components pursuant to TrinkwV (drinking water ordinance) and the corresponding norm **DIN 50930-6** (metallic materials in the drinking water installation) are observed, then the legal obligations has been complied with in their entirety. Apropos: The limit values for SCHELL brass fittings are below the permissible value. They comply with all applicable regulations including the specifications for drinking water installation such as e.g. **EN 1717** (Protection of drinking water against pollution).

Water and scald protection temperature control

If warm drinking water is available, then mix temperatures from 25°C to 30°C are adequate for washing hands. The water temperature at the tap point is limited by the relevant norms in the public sector. To ensure adequate scald protection, it is advisable to use an angle valve thermostat (see page 80).

Thermal disinfection for eradicating legionella

DVGW worksheet W 551 also describes various disinfection processes that can be used to disinfect systems that are already infected. Practice has shown that thermal disinfection in particular is very practicable, presupposing that it is possible to conduct hot water at 70°C to all tap points.

Thermal disinfection should incorporate the entire system including all outlet valves. Legionella bacteria are quickly killed at a temperature of 70°C. Each tap point must be opened and water of at least 70°C allowed to run for at least 3 minutes.

Consequently the water in the drinking water heater must be heated to over 70°C. The outlet temperature at each tap point must be checked. It must be ensured that the system is not accessible during thermal disinfection. The system must be returned to its proper use at standard tapping temperature on completion of thermal disinfection.

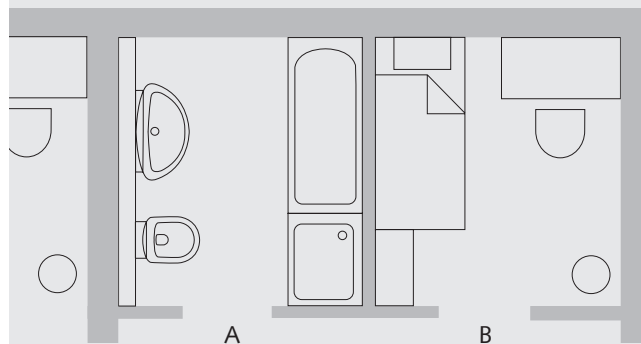
Noise insulation

Buildings must have noise insulation appropriate to their use. Apart from **DIN EN 12354** (calculation of the acoustic properties of buildings on the basis of the building element properties), the standard **DIN 4109** (noise protection in building construction), introduced as technical construction specifications, contains concrete specifications in accordance with state building regulations. The standard represents building regulations' requirement and assessment basis for all persons involved in the construction planning and build. When complying with the principles and implementation instructions in **DIN 4109**, it must be assumed that the minimum sound protection specified in building legislation is observed.

The requirements in **DIN 4109** should ensure the people who frequent the living and working areas in buildings are protected from "unacceptable disturbances" caused by sound propagation. However, compliance with these requirements does not foreclose disturbances from neighbouring dwellings or building facilities and installations. Effective noise protection can be achieved by pursuing **VDI 4100** (Noise control in dwellings).

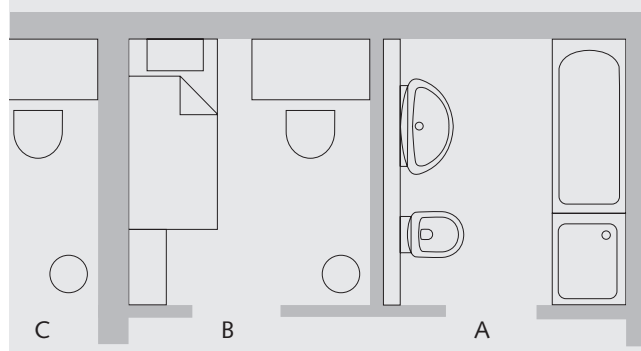
Unfavourable floor plan in terms of noise control

If the bathroom should border a living space of a neighbouring dwelling, only fittings of noise class I may be installed. This also applies to rooms permanently frequented located above or below these rooms. This is particularly valid for hotel bathrooms where noise control has top priority. This is why a floor plan favourable in terms of noise control should be drawn up.



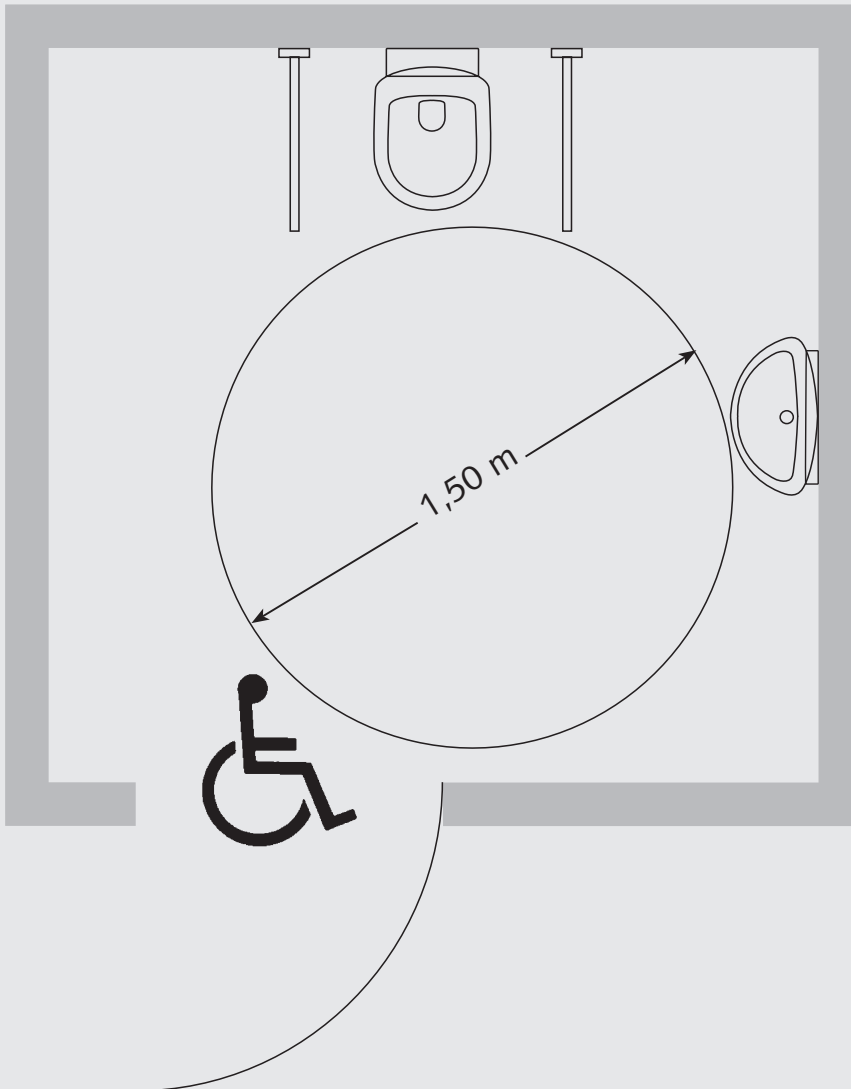
Favourable floor plan in terms of noise control

The bathroom (A/loud room) is separated from the bordering room (C) through an additional room of the user (B). Fittings of noise class II are permissible here.



Barrier-free sanitary rooms

DIN 18024, part 2 "Barrier-free building, buildings and workplaces accessible to the public", defines the minimum requirements for such rooms. The areas of movement in front of the objects should be at least 1.50 x 1.50 m in size.



Wash basin facilities

The wash basins must be installed at a height such that a wheelchair can fit underneath. The upper edge may not be higher than 80 cm and the free height below the wash basin 67 cm. Single-lever mixers or contact-free draw-off taps with max. 45°C are permissible as draw-off taps.

WC facilities

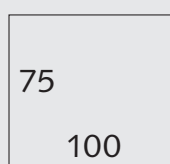
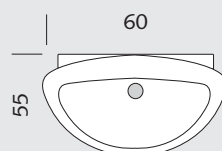
The WC seat height should be 48 cm and two folding grab handles or support handles should be installed at a height of 85 cm. The flush actuation should be positioned to the side so that the sitting position does not need to be changed.



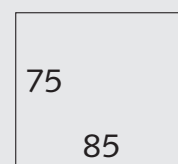
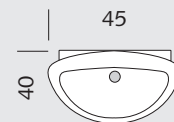
Areas of movement

The standards **DIN 18022** (kitchens, bathrooms and WCs in residential buildings) and **VDI 3818** (public sanitary rooms) specify floorspace, spacing and movement areas for sanitary objects in residential buildings thus allowing for appropriate usage. If sanitary objects of deviating dimensions are installed, it should be ensured that the movement areas do not fall short of specified values. Furthermore, the space required for opening doors and windows as part of wall-mounting installation, installation channels etc. must be taken into consideration.

Wash basin




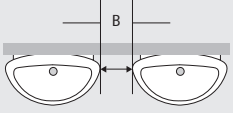
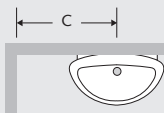
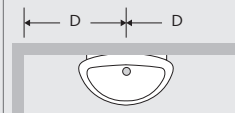
Hand basin



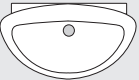
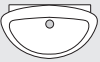
Minimum distances

The movement areas for public sanitary rooms should be generous. If the sanitary room is to be subjected to a high usage frequency, sufficient throughputs must be guaranteed. Minimum distances for infrared and radar control features must also be taken into consideration. More information can be found in the **VDI directives 3818** (public sanitary rooms) and **6000** (equipment and fittings for sanitary rooms).

Installation possibilities

A	B	C	D
			
Centre-to-centre distance	Gap	Distance to 1 wall	Distance with 2 walls

Distance dimensions for the various installation situations

Wash basin	Wash basin	Hand basin	WC	Urinal
	A = 80	A = 75	A = 70	A = 70
	B = 20	B = 20	B = 20	B = 20
	C = 60	C = 40	C = 40	C = 40
	D = 60	D = 60	D = 50	D = 50
Hand basin	Wash basin	Hand basin	WC	Urinal
	A = 75	A = 65	A = 65	A = 65
	B = 20	B = 20	B = 20	B = 20

Fitting recommendation in accordance with VDI 3818 (public sanitary rooms)											
Building/ Facility type	Reference unit	Maximum size of the reference unit requiring a WC/urinal			Number of disabled WCs per facility	Number of WCs requiring a wash hand basin	Maximum size of the reference unit, requiring a shower		Special fittings	Comments	
		WC		Urinal			Women	Men			
		Women	Men	Men							
Building with public access	Number of customers/ visitors (simultaneously)	75	100	100	1	1	-	-	-	-	
Urban and residential centres, shopping precincts, high-traffic stops for public transport	Residents	5,000- 10,000	5,000- 10,000	5,000- 10,000	1	1	-	-			
Leisure facilities, recreational parks	Visitors (simultaneously)	50- 100	50- 100	50- 100	1	1	-	-			
Multi-storey, underground car parks	Bays	50- 200	50- 200	50- 200	1	1	-	-		See ordinance- governing car parks	
Filling stations	Per station	1	1	-	-	1	-	-			
Festivals, funfairs	Visitors (simultaneously)	250	500	250	1	3	-	-			
Station buildings, bus stations, air port and harbour buildings	Passengers (simultaneously)	100	100	50	1	1	-	-	1 spittoon per toilet entry area, 1 baby change unit		
Motorways, trunk roads	Every 25 km	2	1	2	1	2	-	-	1 baby change unit every 50 km		
Motorway service stations	Seating	30	40	30	1	1-2	2 per service station		Baby change unit	Taking service and filling station WC into account	
Restaurants	Seating for up to 120	20	40	20	1	1	-	-	Spittoon	See also federal state ordinances	
	Seating for 121 to 480	30	60	30	1	1-2					
Camping sites	Pitches	10-15	20	20	1	3	25	25	1 baby change unit (unrestricted access), 1 foot sink, 1 washing up sink and 2 laundry sinks for every 30 pitches, 1 tap water point with dirty-water drain every 50 pitches	See ordinances governing camp sites	
Indoor swimming pools	Water area up to 150 m ²	150	150	150	1	1	15	15	1 hair-drying area, 1 baby change unit (unrestricted access), 2 spittoons in the swimming pool area, 1 cold-water shower	See also VDI 2089 page 1	
	Water area (151-500) m ²	250	500	250			25	25			
	Drying area	1	1	1							

Fitting recommendation in accordance with VDI 3818 (public sanitary rooms)										
Building/ Facility type	Reference unit	Maximum size of the reference unit requiring a WC/urinal			Number of disabled WCs per facility	Number of WCs requiring a wash hand basin	Maximum size of the reference unit, requiring a shower		Special fittings	Comments
		WC		Urinal			Women	Men		
		Women	Men	Men						
Open-air swimming pools	Water area up to 150 m ²	250	500	250	1	3	330	330	1 hair-drying area for every 50 lockers, 1 baby change unit, spittoon, cold-water shower, water fountain	See also VDI 2089 page 3
Saunas	Sauna capacity	10-15	20-25	20-25	1	1	3-8	3-8	Showers for pre- cleaning, showers with cold water, 1-2 foot warming basins, 1 water fountain, 1 spittoon	
Medicinal baths	Treatment bays	10-15	20-25	20-25	1	1	-	-		
In-patient medical facilities	Station	2	1	1	1	1	-	-		
Outpatient medical facilities	Doctor's bays	4	4	4	1	1	-	-		
Gymnasium and sports halls	Sports area in m ²	50- 100	50- 100	150- 200	1	1-2	10-20	10-20	1 hair-drying area for every 50 lockers, 1 foot-washing area for every 5 showers	See DIN 18032
Day facilities for children and young people	See VDI 6000 page 6									
Sales facilities with and exceeding 2000 m ² sales area	Sales area in m ²	1,000	2,000	2,000	1	1			Sanitary facilities in proximity of main flow of traffic	
Cultural buildings (with busy periods)	See VDI 6000, page 3, table 1									
Trade fair centres, exhibition buildings, conference centres	See VDI 6000, page 3, table 1									
Spectator facilities at swimming pools and sport halls	See VDI 6000, page 3, table 1									
Stadiums, outdoor sport facilities	See VDI 6000, page 3, table 1									
Ice rinks	See VDI 2075, table 15									
Educational institutions	See VDI 6000 page 6									
Comment: Use the information in DIN 30750, table 2, for portable toilets.										

Contact-free control using infrared sensors



PURIS E
Page 20



VENUS E
Page 24



CELIS E
Page 28

Self-closing control using piezoelectric technology



TIPUS P
Page 34

Self-closing control using cartridge technology



PURIS SC
Page 40



PETIT SC
Page 44

Manually controlled via single-lever mixer



PURIS Line
Page 50



• **This is how it works:**

When the infrared sensor detects a hand, the flow of water is triggered contact-free. As soon as there is no hand within the range of the sensor, the fitting closes automatically.

Low water consumption, high hygiene standards. Wash basin taps with infrared sensor. By SCHELL.

Whether you're in a hospital, laboratory or the grocery shop. Hygiene plays a key role in many areas. And this is particularly true of sanitary rooms. To do this justice, SCHELL has a range of electronic wash basin fittings with infrared sensors. Your benefit: You can control the flow of water conveniently as and when you need it and most importantly these fittings are contact-free. This prevents the transfer of germs to the fittings and thus to being passed on to other people

effectively. The programmes for thermal disinfection and stagnation flushing, carried out every 24 hours after the last use, provide additional hygiene by hindering microbiological growth.

Big on hygiene, small on water consumption. Electronically controlled fittings save up to 62% water when compared to single-lever wash basin fittings. And that adds up!

Wash basin fittings with infrared sensor are particularly suited to:

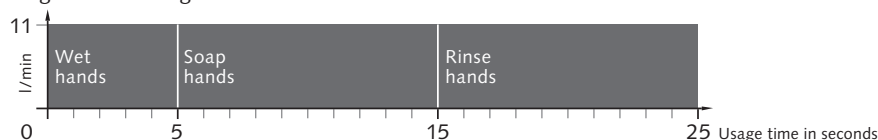
- Hospitals/doctor's surgeries/laboratories
- Grocery shops (meat/cheese counters with staff)
- Airports/service stations/train stations
- Schools/educational institutions
- Hotels/catering
- Industry
- Offices/administrative buildings
- Public facilities
- And much more!

Administration building example: If single-lever wash basin fittings in the sanitary rooms of an administration building with 160 employees (80 women and 80 men) are replaced by electronic wash basin fittings from SCHELL, a saving of EUR 339 can be made for each wash basin per year. With a total of 4 new fittings (minimum requirement, workplace directive), a **total saving of EURO 1,357** per year can be made. This does not even take the reduced energy costs for heating the water into account, thus making this an update that pays off within a short period of time.

And this is what we've calculated:

- 255 days of use
- 450 actuations/day (average use)
- EURO 4.10/m³ (price for drinking water at approx. 30 °C and wastewater)

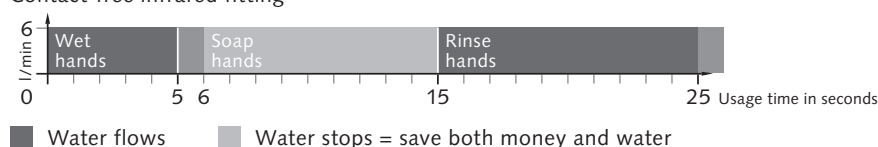
Single-lever fitting



Conventional single-lever fitting with spray regulator 11 l/min

Water consumption per actuation: 4.58 l
Water costs for 450 actuations per day: EURO 8.46

Contact-free infrared fitting



Infrared fitting with controlled spray regulator 6 l/min

Water consumption per actuation: 1.7 l
Water costs for 450 actuations per day: EURO 3.14

■ Water flows ■ Water stops = save both money and water



PURIS E

Highlights

- Contact-free actuation, inc. automatic distance control on the wash basin
- Stagnation flush
- Thermal disinfection
- Water saving of up to 62%
- Modern design
- Flow time and cleaning program
- Robust all-metal construction
- Operation with battery or mains supply
- Easy to replace batteries

Meeting stringent hygiene requirements

The PURIS E infrared electronic system controls the flow of water contact-free and in response to the need of water. To prevent water from stagnating, a flow of water is triggered every 24 hours after the last actuation for approx. 20 seconds (stagnation flush). A thermal disinfection can be programmed in accordance with **DVGW W551** to prevent legionella (Program 5, on-site prerequisite: 70 °C hot water)

Saving potential of up to 62%

Thanks to contact-free actuation, PURIS E is impressive with a water saving of up to 62% in comparison to conventional single-lever mixers. And all that while meeting high demands on convenience.

Complete range

PURIS E is available in the following designs: high-pressure cold water, high-pressure hot and cold water and low pressure hot and cold water (for usage with open water heaters).

DESIGN PLUS

Modern design

The function and design of the fittings are not only suited for usage in hygienically sensitive areas as well as in private and hotel bathrooms.

Battery or mains operated

PURIS E is available in battery-operated or mains-operated versions. There are two designs of the latter with power adapter or concealed adapter. The battery-operated version allows for the fitting to be installed retrospectively. Using a conventional 9 V alkali battery, this has a capacity of up to 100,000 uses. Any impending, necessary battery change is indicated by the red LED flashing. Changing the battery is easy and can be carried out without shutting off the water.

Modular design

The modular design of the fittings simplifies the battery change and is also considerably beneficial for installation and any necessary service work. All housing components are made of robust brass and are thus suitable for public facilities. Once you have dismantled the fitting jacket, the electronic module and the cartridge-type solenoid valve located below it are accessible. No tools are required for setting the flow time restrictions.

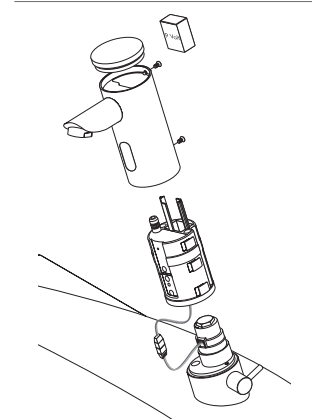
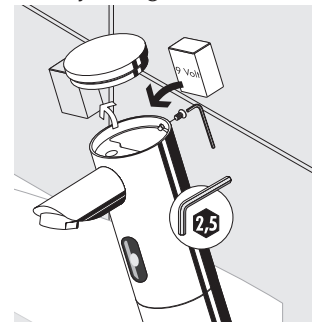
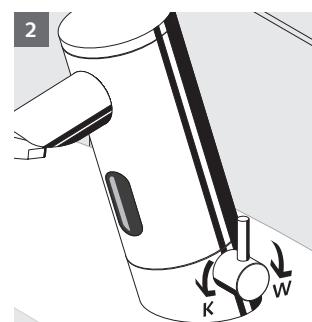
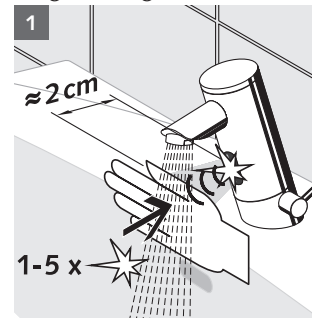
Need-based programs

When first put into operation, the PURIS E performs an automatic distance control on the various environmental conditions. There are 5 programs available with varying functions that can be called up by holding a hand in front of the infrared window (Fig. 1). This means that the maximum flow time is restricted to effectively prevent any false permanent activation. Even the remaining flow time after the hand has been removed from the sensor range (run-on time) and the interruption of the flow-through activation cleaning phases (cleaning stop) can be set to suit requirements.

LED in the sensor field	Max. flow time	Run-on time	Detection range	Thermal disinfection flush	Cleaning stop
*	60 s	1 s	8 - 16 cm	–	–
**	60 s	1 s	8 - 10 cm	–	–
***	120 s	2 s	8 - 16 cm	–	Yes
****	120 s	2 s	8 - 10 cm	–	Yes
*****	60 s	1 s	8 - 16 cm	5 min	–

Needless to say, the program set is retained even in the event of the power supply being interrupted.

The small lever attached on the side is used to progressively adjust the temperature of the mixed water as required (Fig. 2). It is advisable as scald protection e.g. in nurseries or residential nursing homes: Angle valve thermostats from SCHELL (see page 74).

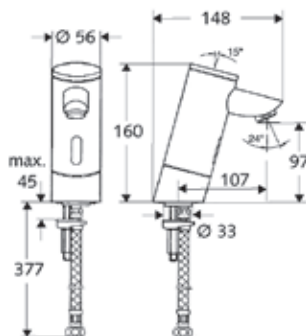
Battery change for PURIS E**Programming**



Type HD-K



Type HD-M/ND-M

Type HD-M
With extended draw-off
outlet (140 mm)

Dimensioning (type HD-K)

PURIS E (battery operated)

Features

Electronic single-hole fitting, infrared controlled, 9 volt battery operation, vandal-proof all-metal construction

Designs

Type	HD-K	HD-M	ND-M*
Area of use	High-pressure cold water/ pre-mixed water	High-pressure mixed water	Low-pressure mixed water
Flow volume	6 l/min (irrespective of pressure)	6 l/min (irrespective of pressure)	5 l/min
Flow pressure	0.5 - 5 bar	0.5 - 5 bar	0.5 - 5 bar
Water temperature	–	Max. 70°C (brief use)	Max. 70°C (brief use)
Material	Casing made of DIN EN brass		
Noise class	I	I	I
WELL	A **	B **	

Scope of delivery

- Electronic module with battery display and 5 selectable flush programs, inc. stagnation flush 24 hours after last use for 20 seconds and thermal disinfection flush with hot water (70°C) for 5 minutes to eradicate legionella etc.
- 6 volt cartridge-type solenoid valve
- Spray regulator
- Fastening material for wash basin installation
- 9 volt alkali battery
- Clean-Fix S G 3/8 x 380 mm flexible connection hose

Type HD-K: 1 piece, 1 pre-filter

Type HD-M: 2 pieces, 2 backflow preventers with pre-filter

Type ND-M*: 3 pieces, 1 pre-filter with through-flow limiter

Item No.

Type	HD-K	HD-M	ND-M*
Standard draw-off outlet: 107 mm	Item No. 01 200 06 99	Item No. 01 201 06 99	Item No. 01 202 06 99
Draw-off outlet: 140 mm	Item No. 01 225 06 99	Item No. 01 226 06 99	–

Accessories for all types



- Angle valve thermostat, Item No. 09 406 06 99
- Angle valves with filter to prevent pollution in the water e.g. Item No. 05 366 06 99 or 04 948 06 99
- Theft-proof spray regulator (only for high-pressure designs), 6 l/min at 3 bar, Item No. 02 121 06 99

* Usage with open water heaters

PURIS E (battery operated)**Features**

Electronic single-hole fitting, infrared controlled, mains operated, 110 to 230 V, 50/60 Hz, vandal-proof all-metal construction

Designs

Type	HD-K	HD-M	ND-M*
Area of use	High-pressure cold water/ pre-mixed water	High-pressure mixed water	Low-pressure mixed water
Flow volume	6 l/min (irrespective of pressure)	6 l/min (irrespective of pressure)	5 l/min
Flow pressure	0.5 - 5 bar	0.5 - 5 bar	0.5 - 5 bar
Water temperature	–	Max. 70°C (brief use)	Max. 70°C (brief use)
Material	Casing made of DIN EN brass		
Noise class	I	I	I
WELL			

Scope of delivery

- Electronic module with battery display and 5 selectable flush programs, inc. stagnation flush 24 hours after last use for 20 seconds and thermal disinfection flush with hot water (70°C) for 5 minutes to eradicate legionella etc.
 - 6 volt cartridge-type solenoid valve
 - Spray regulator
 - Fastening material for wash basin installation
 - 1 m connection cable with plug, protection rating IP 65
 - Flexible connection hose (Clean-Fix S G 3/8 x 380 mm)
- Type HD-K:** 1 piece, 1 pre-filter
Type HD-M: 2 pieces, 2 backflow preventers with pre-filter
Type ND-M: 3 pieces, 1 pre-filter with through-flow limiter

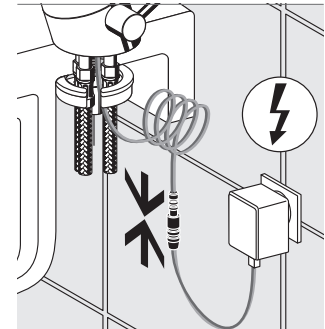
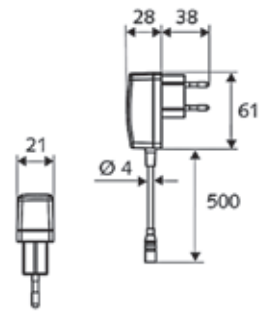
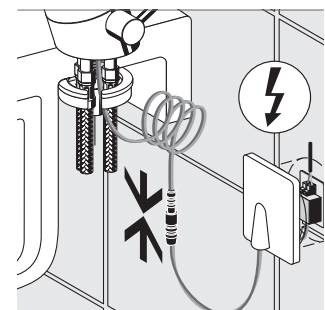
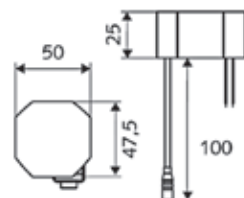
Item No.

Type	HD-K	HD-M	ND-M*
With power adapter	Item No. 01 212 06 99	Item No. 01 214 06 99	Item No. 01 216 06 99
With recessed mains adapter	Item No. 01 213 06 99	Item No. 01 215 06 99	Item No. 01 217 06 99

Accessories for all types

- Angle valve thermostat, Item No. 09 406 06 99
- Angle valves with filter to prevent pollution in the water
e.g. Item No. 05 366 06 99 or 04 948 06 99
- Theft-proof spray regulator (only for high-pressure designs), 6l/min at 3 bar, Item No. 02 121 06 99

* Usage with open water heaters

Power adapter**Recessed mains adapter**



VENUS E

Highlights

- Stylish design
- Contact-free actuation, inc. automatic distance control on the wash basin
- Stagnation flush
- Thermal disinfection
- Water saving of up to 62%
- Flow time and cleaning program
- Robust all-metal construction
- Operation with battery or mains supply

Meeting stringent hygiene requirements

VENUS E is a stylish wash basin fitting for contact-free actuation. To prevent the occurrence of stagnant water, the fitting has a stagnation flush, which triggers a flow of water 24 hours after the last usage for approx. 20 seconds. A thermal disinfection can be programmed in accordance with DVGW W551 to prevent the build-up of legionella (Program 5, on-site prerequisite: 70 °C hot water).

Saving potential of up to 62%

Thanks to contact-free actuation, VENUS E is impressive with a water saving of up to 62%. And all that while meeting high demands on convenience.

Complete range

VENUS E is available in 3 designs: high-pressure cold water, high-pressure hot and cold water and low pressure hot and cold water (for usage with open water heaters).

Stylish design

The elegantly curved linear design of the VENUS E stands for luxurious tastes, providing genuine efficiency to wash basins.

Battery or mains operated

VENUS E can be operated with a conventional 9 V alkali battery (capacity of up to 100,000 uses) or with a mains adapter (2 designs: Power adapter, recessed mains adapter). The battery-operated version allows for the fitting to be installed retrospectively. Any impending, necessary battery change is indicated by the red LED flashing.

Modular design

The modular design of the fittings simplifies installation and is also considerably beneficial for any necessary service work. All housing components are made of robust brass and are thus suitable for public facilities. Once you have dismantled the fitting jacket, the electronic module and the cartridge-type solenoid valve located below it are accessible. No tools are required for setting the flow time restrictions.

Need-based programs

During initial commissioning, the fitting performs an automatic distance control on the various environmental conditions. There are 5 programs with varying functions available. For example, the maximum flow time can be restricted to effectively prevent any false permanent activation. Even the remaining flow time after the hand has been removed from the sensor range (run-on time) and an interruption of the flow-through activation cleaning phases (cleaning stop) can be set to suit requirements. To activate a program, hold your hand approx. 2 cm away from the sensor. An LED will start to flash automatically, (Fig. 1). Remove your hand once the signal number corresponding to the program of your choice has been reached (Fig. 2).

LED in the sensor field	Max. flow time	Run-on time	Detection range	Thermal disinfection flush	Cleaning stop
*	60 s	1 s	8 - 16 cm	–	–
**	60 s	1 s	8 - 10 cm	–	–
***	120 s	2 s	8 - 16 cm	–	Yes
****	120 s	2 s	8 - 10 cm	–	Yes
*****	60 s	1 s	8 - 16 cm	5 min	–

Needless to say, the program set is retained even in the event of the power supply being interrupted.

The small lever attached on the side is used to progressively adjust the temperature of the mixed water as required (Fig. 2). It is advisable as scald protection e.g. in nurseries or residential nursing homes: Angle valve thermostats from SCHELL (see page 74).

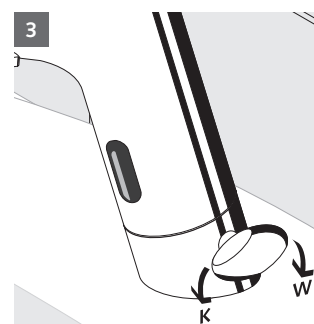
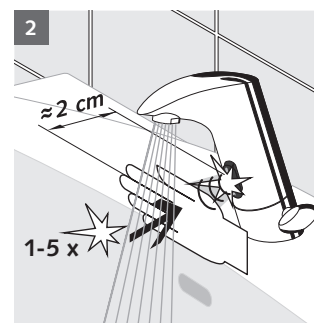
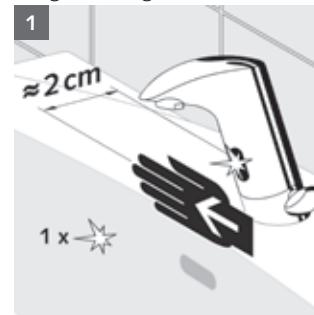
Battery change for VENUS E

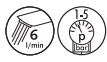


Modular design



Programming





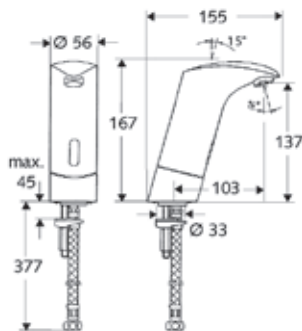
Type HD-K



Type HD-M



Type HD-M



Dimensioning (type HD-K)

VENUS E (battery operated)

Features

Electronic single-hole fitting, 9 volt battery operation, vandal-proof all-metal construction

Designs

Type	HD-K	HD-M	ND-M*
Area of use	High-pressure cold water/ pre-mixed water	High-pressure mixed water	Low-pressure mixed water
Flow volume	6 l/min (irrespective of pressure)	6 l/min (irrespective of pressure)	5 l/min
Flow pressure	0.5 - 5 bar	0.5 - 5 bar	0.5 - 5 bar
Water temperature	–	Max. 70°C (brief use)	Max. 70°C (brief use)
Material	Casing made of DIN EN brass		
Noise class	I	I	I

Scope of delivery

- Electronic module with battery display and 5 selectable flush programs, inc. stagnation flush 24 hours after last use for 20 seconds and thermal disinfection flush with hot water (70°C) for 5 minutes to eradicate legionella etc.
- 6 volt cartridge-type solenoid valve
- 9 volt alkali battery
- Spray regulator
- Fastening material for wash basin installation
- Clean-Fix S G 3/8 x 380 mm flexible connection hose

Type HD-K: 1 piece, 1 pre-filter

Type HD-M: 2 pieces, 2 backflow preventers with pre-filter

Type ND-M: 3 pieces, 1 pre-filter with through-flow limiter

Item No.

Type	HD-K	HD-M	ND-M*
Standard draw-off outlet	Item No. 01 205 06 99	Item No. 01 206 06 99	Item No. 01 207 06 99

Accessories for all types

- Angle valve thermostat, Item No. 09 406 06 99
- Angle valves with filter to prevent pollution in the water e.g. Item No. 05 366 06 99 or 04 948 06 99
- Theft-proof spray regulator (only for high-pressure designs), 6 l/min at 3 bar, Item No. 02 121 06 99

* Usage with open water heaters

VENUS E (mains operated)**Features**

Electronic single-hole fitting, infrared controlled, mains operated, 110 to 230 V, 50/60 Hz, vandal-proof all-metal construction

Designs

Type	HD-K	HD-M	ND-M*
Area of use	High-pressure cold water/ pre-mixed water	High-pressure mixed water	Low-pressure mixed water
Flow volume	6 l/min (irrespective of pressure)	6 l/min (irrespective of pressure)	5 l/min
Flow pressure	0.5 - 5 bar	0.5 - 5 bar	0.5 - 5 bar
Water temperature	–	Max. 70°C (brief use)	Max. 70°C (brief use)
Material	Casing made of DIN EN brass		
Noise class	I	I	I

Scope of delivery

- Electronic module with battery display and 5 selectable flush programs, inc. stagnation flush 24 hours after last use for 20 seconds and thermal disinfection flush with hot water (70°C) for 5 minutes to eradicate legionella etc.
 - 6 volt cartridge-type solenoid valve
 - 9 volt alkali battery
 - Spray regulator
 - Fastening material for wash basin installation
 - Clean-Fix S G 3/8 x 380 mm flexible connection hose
- Type HD-K:** 1 piece, 1 pre-filter
Type HD-M: 2 pieces, 2 backflow preventers with pre-filter
Type ND-M: 3 pieces, 1 pre-filter with through-flow limiter

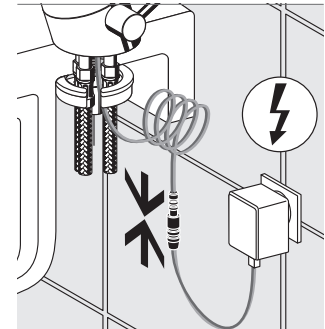
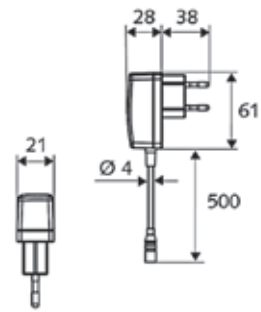
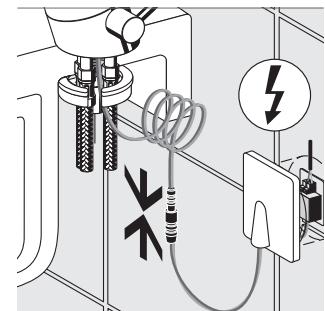
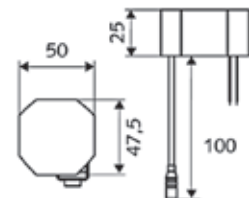
Item No.

Type	HD-K	HD-M	ND-M*
With power adapter	Item No. 01 218 06 99	Item No. 01 220 06 99	Item No. 01 222 06 99
With recessed mains adapter	Item No. 01 219 06 99	Item No. 01 221 06 99	Item No. 01 223 06 99

Accessories for all types

- Angle valve thermostat, Item No. 09 406 06 99
- Angle valves with filter to prevent pollution in the water e.g. Item No. 05 366 06 99 or 04 948 06 99

* Usage with open water heaters

Power adapter**Recessed mains adapter**



CELIS E

Highlights

- Contact-free actuation, inc. automatic distance control
- Stagnation flush
- Water saving of up to 62%
- Award-winning design
- Flow time and cleaning program
- Robust all-metal construction
- Operation with battery or mains supply
- Easy to clean

Meeting stringent hygiene requirements

The CELIS E with its contact-free functionality make it the perfect fitting element in public, semi-public and commercial sanitary rooms. To prevent the occurrence of stagnant water in pipelines, the fitting has a stagnation flush – optionally activated–, which triggers a flow of water 24 hours after the last usage for approx. 20 seconds

Saving potential of up to 62%

Thanks to contact-free actuation, CELIS E is impressive with a water saving of up to 62%. And all that while meeting high demands on convenience.

Complete range

CELIS E is available in 2 designs: for high-pressure cold water and high-pressure mixed water.

Award-winning design

The CELIS E awarded with the design prize "Focus Open 2010" is an eye-catcher in any sanitary room.



Easy-to-service design

All housing components are made of robust brass and are thus suitable for public facilities. The fitting's design means it is easy to install, batteries are easy to change and any necessary servicing is easy. For example, the electronic module and the cartridge-type solenoid valve located below the module can be accessed once the fitting jacket has been dismantled. Apropos: No tools are required to change the batteries or setting the flow time.

Battery operation

The battery-operated version allows for the fitting to be installed retrospectively. CELIS E uses a conventional 9 V alkali battery (capacity up to 100,000 uses). Any impending, necessary battery change is indicated by the red LED flashing. The battery compartment is located out of sight under the wash basin making it easy to service.

Mains operated

A version with power adapter is available. A recessed mains adapter is being developed.

Need-based programs

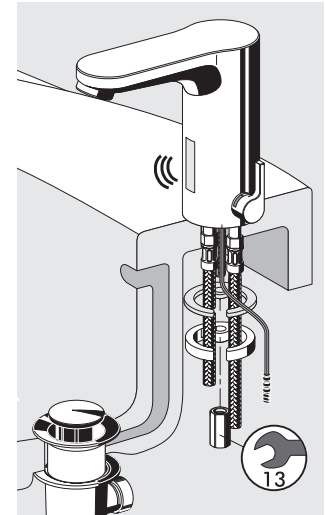
During initial commissioning, the fitting performs an automatic distance control on the various environmental conditions. The fitting is ready for use after approx. 10 seconds. There are 4 programs with varying functions available. To activate one of these programs, hold your hand approx. 2 cm away from the sensor. An LED will start to flash automatically, (Fig. 1). Remove your hand once the signal number corresponding to the program of your choice has been reached (Fig. 2).

LED in the sensor field	Max. flow time	Stagnation flush	Adjust range	Cleaning stop
*	60 s	–	8 - 16 cm	–
**	60 s	–	8 - 10 cm	–
***	120 s	20 s	8 - 16 cm	Yes
****	120 s	20 s	8 - 10 cm	Yes

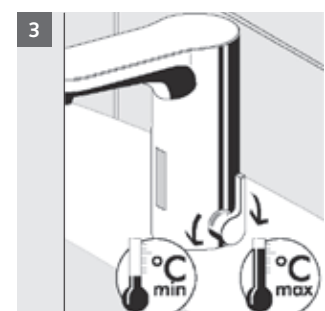
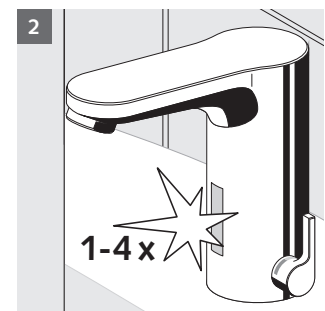
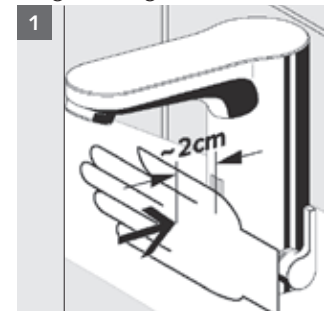
The small lever attached on the side is used to progressively adjust the temperature of the mixed water as required (Fig. 3).

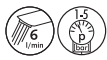
Advisable as scald protection e.g. in nurseries or residential nursing homes: SCHELL angle valve thermostats (see page 74).

Modular design

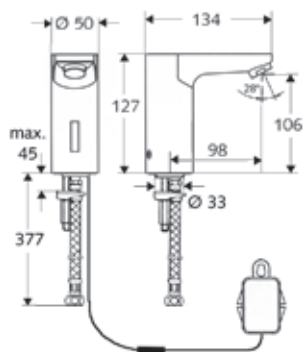


Programming





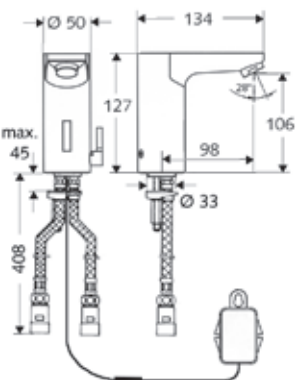
Type HD-K



Dimensioning



Type ND-M



Dimensioning

CELIS E (battery operated)

Features

Compact infrared sensor fitting, off-grid single-hole fitting, vandal-proof all-metal construction

Designs

Type	HD-K	HD-M
Area of use	High-pressure cold water/ pre-mixed water	High-pressure mixed water
Flow volume	6 l/min (irrespective of pressure)	6 l/min (irrespective of pressure)
Flow pressure	0.5 - 5 bar	0.5 - 5 bar
Water temperature	Max. 70°C (brief use)	Max. 70°C (brief use)
Material	Casing made of DIN EN brass	
Noise class	I	I
Test symbol	P-IX 19 116/IZ	P-IX 19 116/IZ
WELL	A ***	B ***

Scope of delivery

- Electronic module with battery display and 4 selectable flush programs inc. stagnation flush 24 hours after last use for 4 seconds.
- 6 volt cartridge-type valve, external battery compartment with 9 V alkali battery
- Connection cable with plug, protection rating IP 65
- Spray regulator
- Fastening material for wash basin installation
- Flexible connection hose (Clean-Fix S G 3/8 x 380 mm)

Type HD-K: 1 piece, 1 pre-filter

Type HD-M: 2 pieces, 2 backflow preventers with pre-filter

Item No.

Type	HD-K	HD-M
Standard draw-off outlet	Item No. 01 230 06 99	Item No. 01 229 06 99



Accessories for all types

- Angle valve thermostat, Item No. 09 406 06 99
- Angle valves with filter to prevent pollution in the water e.g. Item No. 05 366 06 99 or 04 948 06 99
- Theft-proof spray regulator (only for high-pressure designs), 6 l/min at 3 bar, Item No. 02 121 06 99

CELIS E (mains operated)**Features**

Compact infrared sensor single-hole fitting, mains operated, 110 to 230 V, 50/60 Hz, vandal-proof all-metal construction

Designs

Type	HD-K	HD-M
Area of use	High-pressure cold water/ pre-mixed water	High-pressure mixed water
Flow volume	6 l/min (irrespective of pressure)	6 l/min (irrespective of pressure)
Flow pressure	0.5 - 5 bar	0.5 - 5 bar
Water temperature	–	Max. 70°C (brief use)
Material	Casing made of DIN EN brass	
Noise class	I	I
Test symbol	P-IX 19 116/IZ	P-IX 19 116/IZ
WELL		

Scope of delivery

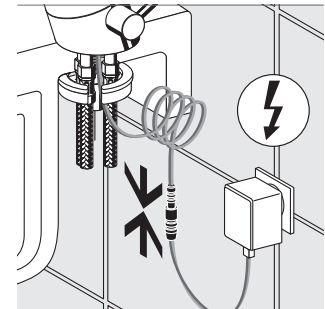
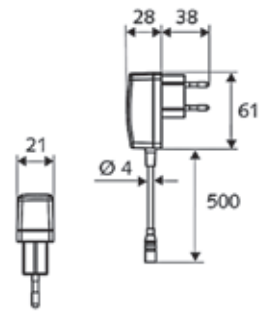
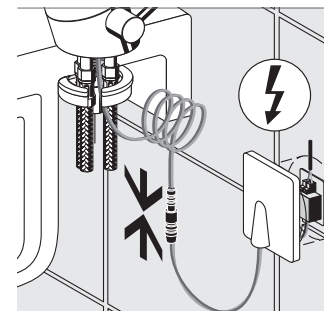
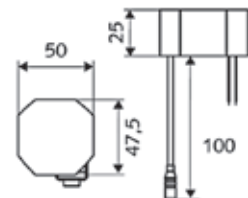
- Electronic module with battery display and 4 selectable flush programs inc. stagnation flush 24 hours after last use for 4 seconds.
 - 6 volt cartridge-type valve, power adapter 230 V/50 Hz
 - Connection cable with plug, protection rating IP 65
 - Spray regulator
 - Fastening material for wash basin installation
 - Clean-Fix S G 3/8 x 380 mm flexible connection hose
- Type HD-K:** 1 piece, 1 pre-filter
Type HD-M: 2 pieces, 2 backflow preventers with pre-filter

Item No.

Type	HD-K	HD-M
With power adapter	Item No. 01 231 06 99	Item No. 01 232 06 99
With recessed mains adapter	Item No. 01 244 06 99	Item No. 01 245 06 99

Accessories for all types

- Angle valve thermostat, Item No. 09 406 06 99
- Angle valves with filter to prevent pollution in the water e.g. Item No. 05 366 06 99 or 04 948 06 99
- Theft-proof spray regulator (only for high-pressure designs), 6 l/min at 3 bar, Item No. 02 121 06 99

Power adapter**Recessed mains adapter**



• **This is how they work:**
The starting and stopping of the flow of water is controlled by lightly pressing the piezoelectric button. The flow time with the self-closing fitting can be limited precisely to 4 to up to 120 seconds as required – irrespective of temperature and water pressure. If the flow of water should be stopped prematurely, simply tap the actuation button again.

Switching over to save mode. Self-closing wash basin fittings with vandal-proof piezoelectric button by SCHELL.

Self-closing fittings with piezoelectric control by SCHELL are suitable for high-use sanitary rooms and for private guest WCs. In contrast to hydraulically controlled self-closing systems, the opening impulse on this fitting is controlled by a piezoelectric component that is integrated vandal-proof inside the head part of the fitting. Lightly tapping the piezoelectric button is sufficient to make the water flow for the pre-set flow time. To stop the flow of

water prematurely, simply tap the button once more. Benefits of self-closing functionality: a water saving of up to 56% – and added hygiene, as it is no longer necessary to touch the actuation button once you have washed your hands. Additional advantages include the easy-to-set stagnation flush and the knowledge that a continuous flow and any misuse arising from continuous operation are precluded. Switch over to save mode!

Wash basin fittings with piezoelectric control are particularly suited to:

- Gastronomy
- Hotels
- Sports facilities
- Administration buildings
- Lay-bys and camping sites
- Airports
- Private guests' bathrooms and WCs
- And much more!

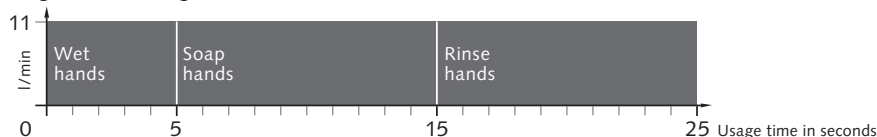
Wash basin draw-off taps

Example of a restaurant: A restaurant seating 200 would like to replace conventional single-lever fittings in its sanitary rooms with wash-basin fittings with piezoelectric control by SCHELL. An investment that pays off, as EURO 423 can be saved for each wash basin per year. With a total of 6 new fittings (minimum requirement, VDI 3818), a **total saving of EURO 2,542** per year can be made. Hence, this is an update that pays off within a short period of time.

And this is what we've calculated:

- 300 days of use
- 800 actuations/day (average use)
- EURO 4.10/m³ (price for drinking water at approx. 30 °C and wastewater)
- Flow time per actuation programmed to 10 seconds for self-closing fitting with piezoelectric control

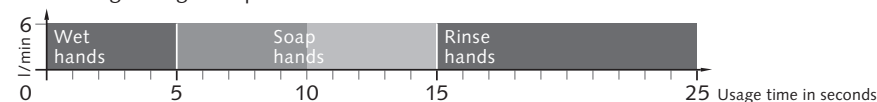
Single-lever fitting



Conventional single-lever fitting with spray regulator 11 l/min

Water consumption per actuation: 2.8 l
Water costs for 800 actuations per day: EURO 15.03

Self-closing fitting with piezoelectric control



Self-closing fitting with piezoelectric control with spray regulator 6 l/min

Water consumption per actuation: 2 l
Water costs for 800 actuations per day: EURO 6.56

■ Water flows ■ Stopping the water before the end of the flow time is possible by pressing the piezoelectric button ■ Water stops = save both money and water



TIPUS P

Highlights

- Electronic on/off function
- Adjustable exact flow time (4 - 120 s)
- For use with cold or pre-mixed water
- Water saving of up to 56%
- Stagnation flush
- Robust all-metal construction
- Vandal-proof piezoelectric button
- Theft-proof spray regulator
- Modern design
- Battery and solenoid valve accessible without dismantling the fitting

Convenient operation

TIPUS P is a self-closing wash basing fitting with intelligent piezoelectric control. The fitting's flow time can be set to suit your requirements (4 - 120 s). Further to this, the flow of water can also be stopped prematurely by tapping the piezoelectric button. The programmable stagnation flush automatically triggered every 24 hours after the last flush ensures increased hygiene.

High saving potential

The TIPUS P flow times can be set between 4 and 120 seconds – irrespective of temperature and water pressure. The start/stop function enable the fitting to be closed before the end of the preset flow time. The advantages: Water saving of 56 % with the same high level of convenience.

Operating with cold water or pre-mixed water

TIPUS P is an accurate, self-closing wash basin fitting for operation with cold water and pre-mixed water.

Modern design

TIPUS P combines intelligent technology and compact shape with clear stylish design.

Battery operation

TIPUS P only requires one conventional 9 V alkali battery for operation.

Modular design

The modular design of this all-brass fitting makes installation battery change and any necessary service work effortless tasks. The battery compartment and solenoid valve are positioned under the wash basin out of sight to the user.

High operational reliability

The TIPUS P has proven its worth for many years in practical testing. The piezoelectric button is housed under the cover thus protected from wilful damage. The set flow time is also not exceeded in the event of continuous operation. This prevents manipulation that leads to unwanted high water consumption.

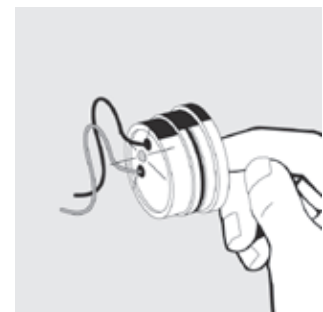
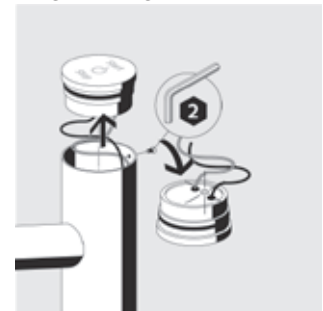
Need-based programs

The piezoelectric buttons securely integrated in the fitting cover are used to program the water flow. The flow time is set to 8 seconds as a default. The stagnation flush is deactivated. Set the flow time to suit your requirements by pressing x-times according to the table shown below.

The LED will flash twice after setting the flow time you require indicating that the programming of the flow time has been completed. Of course: The program selected does not change when you replace the battery.

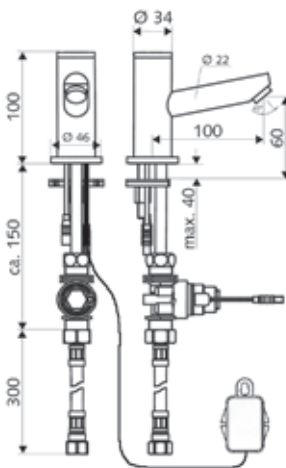
Press x number	1	2	3	4	5	6	7	8	9	10
LED flashes 1 x per 1 x press										
Flow time (s)	4	6	8	10	15	20	30	45	60	120

Programming





Type HD-K



Dimensioning (type HD-K)

TIPUS P (battery operated)

Features

Electronic self-closing fitting with piezoelectric button, vandal-proof all-metal construction, precise flow-time setting, selectable stagnation flush

Designs

Type	HD-K
Area of use	High-pressure cold water/ pre-mixed water
Flow volume	6 l/min at 3 bar flow pressure
Flow pressure	0.5 - 5 bar
Water temperature	Max. 70°C (brief use)
Flow time	4 - 120 s
Material	Casing made from dez- incing resistant brass
Noise class	I (in preparation)

Scope of delivery

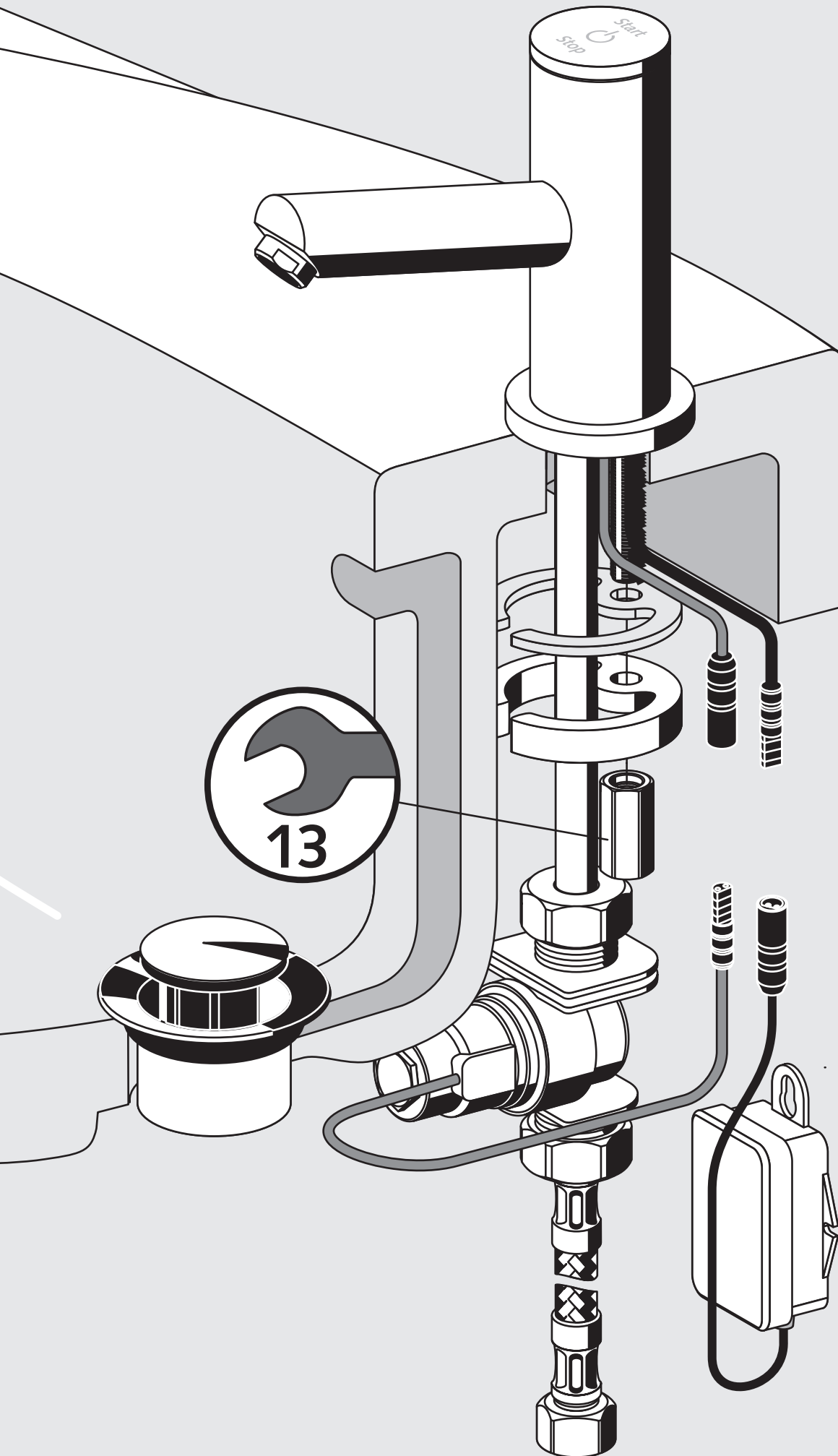
- Electronic module and piezoelectric button integrated in the fitting cover with battery level display and program mode for setting the flow time and stagnation flush
- Solenoid valve for concealed assembly behind the wash basin
- External battery compartment with 9 V alkali batteries
- 1 Clean-Flex flexible connection hose S G 1/2 x G 3/8 x 300 mm
- Theft-proof spray regulator
- Fastening material for wash basin installation


Item No.

Type	HD-K
Standard draw-off outlet	Item No. 01 236 06 99

Accessories for all types

- Mixed water pre-filter with HDM backflow preventer, Item No. 28 511 06 99
- Angle valve thermostat, Item No. 09 406 06 99
- Angle valves with filter to prevent pollution in the water
e.g. Item No. 05 366 06 99 or 04 948 06 99
- Theft-proof spray regulator, 6 l/min at 3 bar, Item No. 02 121 06 99



A black and white photograph of a hand operating a modern, chrome faucet. The faucet has a sleek, cylindrical design. A circular callout with a white border highlights the top of the faucet where the hand is pressing. The faucet is mounted on a white sink. In the background, there are white tiles and a stack of white towels. The overall scene is clean and modern.

This is how it works:
The use of intelligent cartridge technology means that you only need to press the actuation button. The flow times can be set easily and to suit your requirements.

Economical in terms of water consumption and maintenance. Wash basin fittings with innovative cartridge technology by SCHELL.

The hydraulically controlled self-closing fittings from SCHELL have been specifically designed for heavy-duty usage in public, semi-public and commercial sanitary rooms. The all-metal construction of these fittings means these are resistant to mechanical faults arising. Furthermore, the corrosion-proof SC II cartridge technology has proven to be exceptionally reliable and low-maintenance. The actuation but-

ton only needs to be pressed lightly to activate the flow of water. And that is particularly economical, as the flow time and max. temperature can be preset to suit requirements. When compared to conventional single-lever fittings, the savings can easily go into the thousands of euros. Savings of up to 56% are possible.

Wash basin fittings with cartridge technology are particularly suited to:

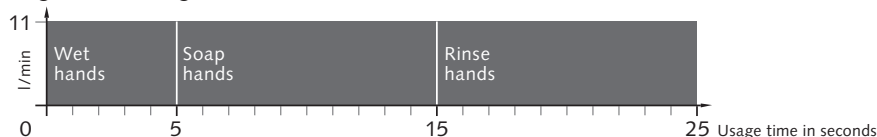
- Gastronomy
- Hotels
- Schools
- Sports facilities
- Administration buildings
- Lay-bys and camping sites
- Airports
- And much more!

Example of a school: As part of a modernisation, conventional double-handle fittings were replaced in the sanitary rooms of a school with 800 students and 60 teachers. Annual saving per wash basin: EURO 211 With a total of 17 new fittings (minimum requirement VDI 6000), a **total saving of EURO 3,601** per year can be made. This does not include the reduced energy costs for heating hot water.

And this is what we've calculated:

- 170 days of use
- 2,000 actuations/day
- EURO 4.10/m³
(price for drinking water at approx. 30 °C and wastewater)
- Flow time for self closing fitting with cartridge set to 10 seconds per actuation

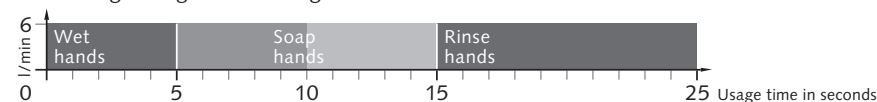
Single-lever fitting



Conventional single-lever fitting with spray regulator 11 l/min

Water consumption per actuation: 4.58 l
Water costs for 2,000 actuations per day: EURO 37.88

Self-closing fitting with cartridge



PURIS SC fitting with controlled spray regulator 6 l/min

Water consumption per actuation: 2.0 l
Water costs for 2,000 actuations per day: EURO 16.40

■ Water flows ■ Water stops = save both money and water



PURIS SC

Highlights:

- Self-closing fitting with need-based flow time setting
- Water saving of up to 56%
- Robust all-metal construction
- Reliable cartridge technology
- Operated without a power supply
- Simple installation and adjustment
- Temperature limiter
- Premium design

High saving potential

The self-closing PURIS SC reduces water costs by up to 56%, as water only flows once the actuation button has been pressed. A convincing argument for situations where the wish for lower operational costs crosses paths with a high user frequency. In addition, the modern spray regulator provides a soft flow of water.

Durable quality

The robust all-metal construction makes the PURIS SC a perfect candidate for use in public, semi-public and commercial sanitary rooms.

Operating with cold water and pre-mixed water

PURIS SC is suitable for use with high-pressure cold water and high-pressure mixed water.

Premium design

The clean design and top-quality finish prove that intelligent technology can be combined with the highest demands for good design.

High operational reliability

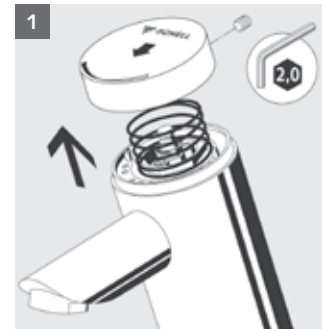
The core of the PURIS SC is the innovative SCHELL SC II cartridge technology. It works even with minimal actuation pressure applied and regulates mixed water very easily.



- 1 Mixed water handle fixing (PURIS SC-M)
- 2 Plunger chamber
- 3 Mixed water temperature control (PURIS SC-M)
- 4 Hot water inlet
- 5 Cold water inlet
- 6 Mixed water outlet channel
- 7 Flow time adjuster (PURIS SC)

Simple installation

PURIS SC can be installed quickly and easily. The accessories required are included in delivery. In terms of servicing, the fittings are also unproblematic and low-maintenance.



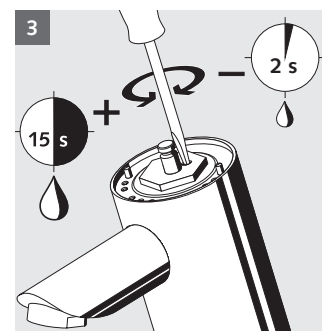
Individual hot water limiter

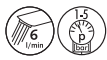
The ergonomic operating handle used for regulating the mixed water temperature is removed using an Allen key (Fig. 1). The limiter is set via an adjustable stop (Fig. 2). Please note: this feature does not act as scald protection, which can be achieved (e.g. in nurseries or residential nursing homes) by installing an angle-valve thermostat, available as an accessory (see page 74).



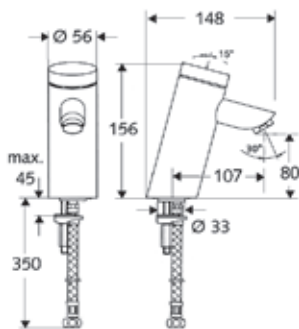
Need-based flow time setting

Using a screwdriver, the flow time can be set between 2 to 15 seconds very easily (Fig. 3). We have even thought about this: It is not possible for a user to make any retrospective changes as the setting screw is concealed below the handle.





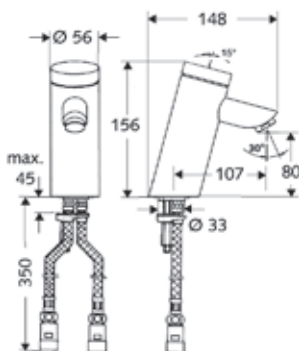
Type SC-K



Dimensioning (type HD-K)



Type SC-M



Dimensioning (type HD-M)

PURIS SC

Features

Sophisticated single-hole fitting in a vandal-proof all-metal construction with cartridge, manual actuation, simple flow time adjustment

Designs

Type	SC-K	SC-M
Area of use	High-pressure cold water/ pre-mixed water	High-pressure mixed water
Flow volume	6 l/min (irrespective of pressure)	6 l/min (irrespective of pressure)
Flow pressure	1 - 5 bar	1 - 5 bar
Water temperature	–	Max. 70°C (brief use)
Flow time	Adjustable between 2 - 15 s	Adjustable between 2 - 15 s
Material	Casing made of DIN EN brass	
Noise class	I (in preparation)	I (in preparation)
Test symbol	P-IX 19 436/IO	P-IX 19 436/IO
WELL		

Scope of delivery

- SC II cartridge
 - Fastening material, single-hole installation
 - Spray regulator
 - Flexible connection hose (Clean-Fix S G 3/8 x 380 mm)
- Type HD-K: 1 piece, 1 pre-filter
 Type HD-M: 2 pieces, 2 backflow preventers with pre-filter

Item No.

Type	SC-K	SC-M
Standard draw-off outlet	Item No. 02 110 06 99	Item No. 02 125 06 99

Accessories for all types

- Angle valve thermostat, Item No. 09 406 06 99
- Angle valves with filter to prevent pollution in the water e.g. Item No. 05 366 06 99 or 04 948 06 99



Wash basin draw-off taps



PETIT SC (wash basin tap)

Highlights:

- Self-closing fitting with flow time setting to suit requirements
- Developed for small basins
- Operating cost saving of up to 56%
- Robust all-metal construction
- Reliable cartridge technology
- Operated without a power supply
- Simple installation and adjustment
- Temperature limiter

High saving potential

Since water only flows after pressing the actuation button on the self-closing PETIT SC fitting, water costs can be reduced by up to 56%. And this is without forfeiting on convenience.

Robust design

The all-metal construction of the PETIT SC fitting means these are resistant to mechanical faults arising. This makes the fitting predestined for usage in public, semi-public and commercial sanitary rooms. Additional protection against vandalism comes in the form of the twist security available as an accessory (Item No. 76 593 00 99).

Operating with cold water and pre-mixed water

PETIT SC is suitable for use with high-pressure cold water and high-pressure mixed water.

High-level functionality

The compact dimensions of the PETIT SC make it the perfect solution for small basins. Its uncomplicated design and minimum of components make this fitting very appealing. The PETIT SC is ideal for use in areas where minimal investment is the priority but the user does not wish to compromise on quality and functionality.

High operational reliability

SCHELL has over 75 years of experience with cartridge technology. Know-how that has benefited the PETIT SC. It works reliably even with minimal actuation pressure.



- 1 Handle fixing
- 2 Plunger chamber filling channel
- 3 Cold water inlet
- 4 Outlet channel
- 5 Flow time adjustment

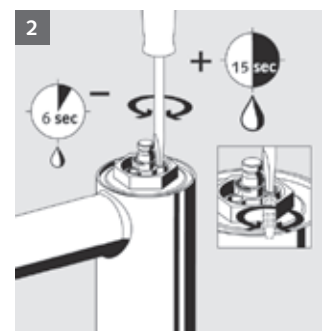
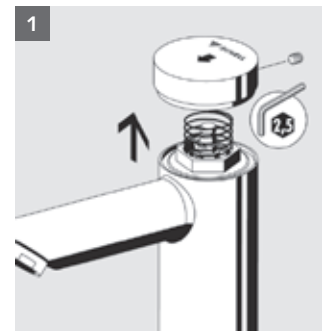
Simple installation

The installation and service of the low-maintenance PETIT SC is uncomplicated. All materials required for this are included in the scope of delivery.

Need-based flow time setting

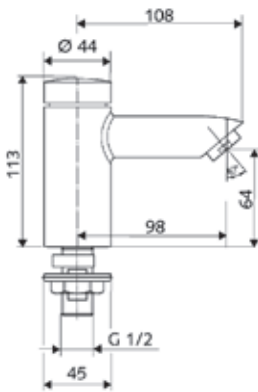
After loosening the cover with an Allen key (Fig. 1), you can adjust the flow time between 6 to 15 seconds using a screwdriver (Fig. 2, default setting: 7 seconds). The flow time cannot be manipulated retrospectively by users.

Installation-friendly design





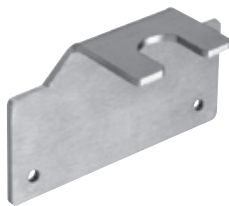
Type HD-K



Dimensioning



Tap hole rosette



Twist security

PETIT SC

Features

Robust single-hole fitting in a vandal-proof all-metal construction with cartridge, manual actuation and automatic closing function; also available in brass DR

Designs

Type	HD-K Brass EN	HD-K Brass DR
Area of use	High-pressure cold water/ pre-mixed water	High-pressure cold water/ pre-mixed water
Flow volume	6 l/min at 3 bar flow pressure	5 l/min at 3 bar flow pressure
Flow pressure	1 - 5 bar	1 - 5 bar
Water temperature	–	–
Flow time	Adjustable between 6 - 15 s	Adjustable between 6 - 15 s
Material	Casing made of DIN EN brass or DR brass	
Connection	T 1/2 MT	T 1/2 MT
Noise class	I (in preparation)	I (in preparation)
Test symbol	–	–

Scope of delivery

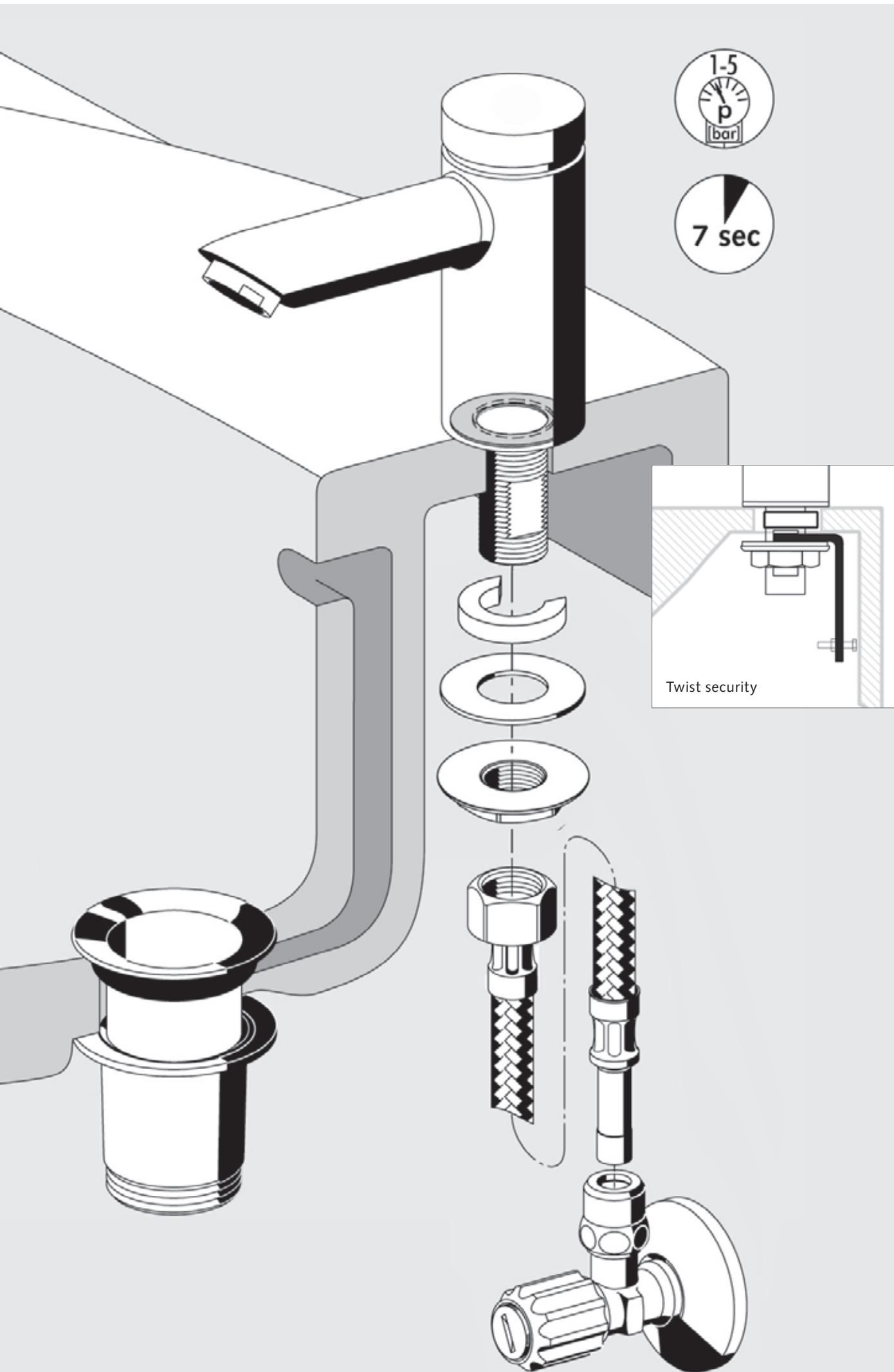
- Cartridge
- Spray regulator
- Fastening material, single-hole installation

Item No.

Type	HD-K Brass EN	HD-K Brass DR
Standard draw-off outlet	Item No. 01 122 06 99	Item No. 02 130 06 99

Accessories for all types

- Spray regulator, theft-proof, Item No. 02 121 06 99
- Flexible hose, Clean-Fix S, Item No. 10 318 06 99
- Connection set, PETIT copper pipe, Item No. 08 464 06 99
- Twist security, Item No. 76 593 00 99
- Tap hole rosette, PETIT, Item No. 76 063 06 99
- Angle valve thermostat, Item No. 09 406 06 99
- Angle valves with filter to prevent pollution in the water e.g. Item No. 05 366 06 99 or 04 948 06 99





This is how it works:
In contrast to conventional double-handle fittings, the required temperature is comfortable to regulate while saving water at the same time with a single-lever mixer.

Completely attuned to convenience. Wash basin fittings with single-lever mixers by SCHELL.

The single-lever mixers are an alternative for applications where the water flow is to be regulated mechanically. The fittings are designed for reliable continuous operation and are ideal not only just for sanitary rooms but for private bathrooms too. The efficiency and quality features of this fitting include the self-regu-

lating economy spray regulator (6 l/min, irrespective of pressure), the all-metal construction and ceramic cartridge with through-flow limiter.

Wash basin fittings with single-lever mixer are particularly suited to:

- Semi-public sanitary rooms
- Hotel rooms
- Kitchens
- Laboratories
- Private bathrooms
- And much more!



PURIS Line

Highlights:

- Sophisticated single-lever mixer for mixed water
- Robust all-metal construction for single-hole installation
- Ceramic cartridges with hot water limiter
- Variably adjustable volume limiter
- Rapid installation system
- Sophisticated design

Convenient operation

If the flow of water should be regulated mechanically, then the PURIS Line single-lever mixer is the right choice. You can easily and conveniently regulate the temperature until it reaches the temperature you require. Equipped with a pressure-independent spray regulator and a hot water limiter, the fitting is designed for reliable continuous operation and thus best suited for sophisticated usage.

Water-saving setting for the flow volume

To save water, the flow volume can be reduced by removing the operating handle with a screwdriver.

Robust quality

The all-metal construction of the PURIS Line means the fitting is resistant to mechanical faults arising.

Sophisticated design

The modern functional design typifies the PURIS Line.



Mixed-water operation

The PURIS Line was specifically developed for use with high-pressure mixed water.

Temperature range options

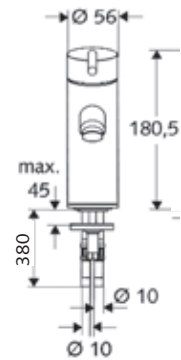
The fitting can be set to 3 setting ranges as required (1st middle position: warmer, 2nd middle position: warmer/colder, 3rd middle position: colder).



Type EH-M

Designs

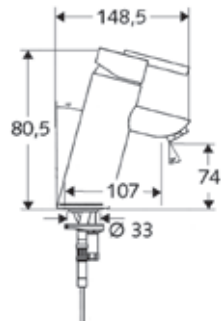
Type	EH-M normal	EH-M pull rod
Area of use	High-pressure mixed water, normal	High-pressure mixed water, pull-rod drainer
Flow volume	6 l/min (irrespective of pressure)	6 l/min (irrespective of pressure)
Flow pressure	0.5 - 8 bar	0.5 - 8 bar
Water temperature	Max. 70°C (brief use)	Max. 70°C (brief use)
Material	Casing made of DIN EN brass	



Dimensioning

Scope of delivery

- Ceramic cartridge with hot water limiter
- Variably adjustable volume limiter
- SCHELL connection hoses, Clean-Fix S G 3/8 x 380 mm
- Rapid installation system
- Pull-rod drainer (only for Item No. 02 101 06 99)



Dimensioning

Item No.

Type	EH-M normal	EH-M pull rod
Standard draw-off outlet	Item No. 02 100 06 99	Item No. 02 101 06 99

Accessories for all types

- LINE design angle valve with filter, Item No. 05 366 06 99
- PURIS design angle valve, Item No. 05 311 06 99
- Angle valve thermostat, Item No. 09 406 06 99
- Angle valves with filter to prevent pollution in the water e.g. Item No. 05 366 06 99 or 04 948 06 99

Wash basin draw-off taps

Self-closing control using cartridge technology



PETIT SC
Page 56



LINUS W-SC
Page 60

Manually controlled via single-lever mixer



LINUS W-EH
Page 66



• **This is how it works:**
Minimal pressure on the actuation button suffices and the intelligent SCHELL cartridge technology ensures that the water flows reliably. So that consumption can be matched to requirements, the flow times can be adjusted at any time relatively effortlessly.

Design and function. In perfect harmony. Wall-mounted draw-off taps with innovative cartridge technology by SCHELL.

If you wish to set the trend in a public or semi-public sanitary room, then these are the models for you: Wall-mounted draw-off taps. And if these should also meet the need for robustness and water-saving capability, then wall-mounted draw-off taps with innovative cartridge technology from SCHELL are the right choice. Ultimately, the hydraulically controlled, self-closing fittings from SCHELL have been specifically designed for heavy-duty usage and have proven to

be exceptionally reliable and low-maintenance.

Not only do these offer incredible potential for saving water thanks to the innovative cartridge technology, they are also resistant to mechanical faults arising.

The actuation button only needs to be pressed lightly to activate the flow of water. The flow time and max. temperature can be preset to suit requirements. Conclusion: Design and function in perfect harmony.

Wash basin fittings with cartridge technology are particularly suited to:

- Gastronomy
- Hotels
- Schools
- Sports facilities
- Administration buildings
- Lay-bys and camping sites
- Airports
- And much more!



PETIT SC (wall-mounted draw-off tap)

Highlights:

- Self-closing with need-based flow time setting
- Water saving of up to 56%
- Theft-proof spray regulator
- Robust all-metal construction
- Reliable cartridge technology
- Operated without a power supply
- Simple installation and adjustment
- Optional extension
- Functional design

Functional design

The PETIT SC is also available as a wall-mounted draw-off outlet as an alternative to the successful PETIT SC self-closing wash basin tap. Its clear design and high-quality finish speak for themselves.

High saving potential

PETIT SC not only looks good but saves on water nicely too. It is possible to reduce water consumption by up to 56% as the water only flows at a flow volume of 5 l/min after pressing of the actuation button. In addition, the modern spray regulator provides a soft flow of water. Good reasons for using the fitting in public sanitary rooms too.

Durable quality

The self-closing fitting comprises all-metal and is suitable for robust everyday use. It can be used for cleaning purposes, for washing hands and filling containers. The rosette (ø 60 mm), part of the scope of deliver, covers largish holes in the wall.

Operating with cold water and pre-mixed water

PETIT SC has been developed for use with high-pressure cold water and high-pressure mixed water.

Simple installation

The PETIT SC is easily and quickly installed. The moulded screwdriver flat is helpful for this. In terms of service, the fitting is unproblematic and low-maintenance.

High operational reliability

The innovative SCHELL cartridge made of corrosion-resistant plastic can also be found in the PETIT SC. Benefits: smooth material function even with minimal actuation pressure and relatively each regulation of mixed water. The integrated filter provide protection against contamination.



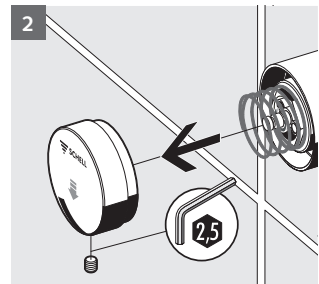
- 1 Handle fixing
- 2 Piston chamber filling channel with filter
- 3 Cold water inlet
- 4 Outlet channel
- 5 Flow time adjustment



Accessories: Extension

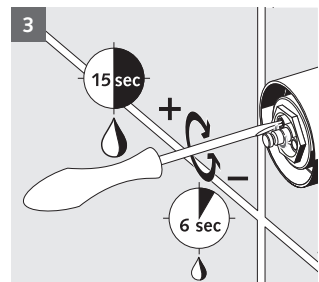
Practical accessories

An extension of 60 mm (Fig. 1) is available as an accessory to adapt fittings to the conditions of the place of installation. The fitting and extension are screwed together flush.



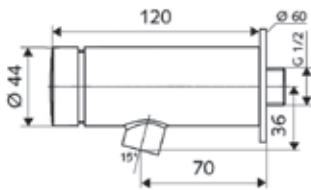
Need-based flow time setting

The flow time can be easily set to suit need from between 6 and 15 seconds using a screwdriver (Fig. 2 + 3). The setting cannot be manipulated by a user retrospectively as the setting screw is concealed by the actuation handle.

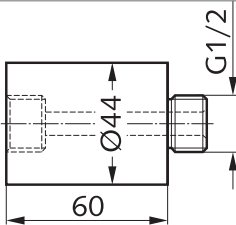




Type HD-K



Dimensioning



Dimension drawing, side view

PETIT SC

Features
 Robust wall-mounted draw-off tap in a vandal-proof all-metal construction with SCHELL self-closing cartridge, manual actuation and automatic closing function

Designs

Type	HD-K	
Area of use	High-pressure cold water/ pre-mixed water	
Flow volume	5 l/min (irrespective of pressure)	
Flow pressure	0.8 - 5 bar	
Water temperature	-	
Flow time	Adjustable between 6 - 15 s	
Material	Casing made of dezincing-resistant brass, functional parts cartridge plastic	

Scope of delivery

- PETIT SC self-closing wall-mounted draw-off outlet with rosette Ø 60 mm
- Theft-proof spray regulator

Item No.

Type	HD-K	
Standard draw-off outlet	Item No. 02 136 06 99	

Accessories for all types

- For length compensation on large wash basins
- PETIT SC extension 60 mm PETIT SC for wall-mounted fitting, Item No. 61 662 06 99



LINUS SC (concealed wall-mounted draw-off tap)

Highlights:

- Sophisticated appearance
- Self-closing with need-based flow time setting
- Water saving of up to 56%
- Vandal-proof all-metal construction
- Robust front plates made of stainless steel or chrome-plated brass
- Theft-proof spray regulator
- Reliable cartridge technology without outside energy
- Simple installation with wall-installation set
- Variable draw-off lengths

Sophisticated appearance

Well-balanced proportions and precisely worked surfaces for the front plates typify the LINUS series. The self-closing wall-mounted draw-off tap is predestined for use with all surface-mounted wash basins, which could only otherwise be used in conjunction with fittings with base extensions.

High saving potential

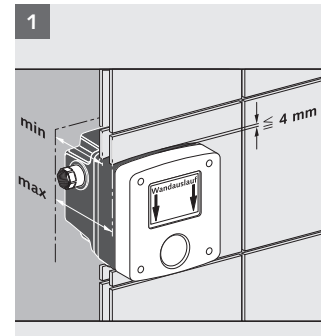
LINUS combines aesthetics with practicality: When compared to conventional double-handle fittings, the attractive self-closing fitting can save up to 56%.

Vandal-proof quality

It is not just the all-metal construction that makes the LINUS unsusceptible. The front plates made of stainless steel or chrome-plated brass, the reinforced draw-off outlet fixture and solid brass outlet withstand even rougher conditions of use for longer periods. All LINUS fittings are supplied as standard with theft-proof spray regulators. The front plate fixture is attached under the front panel and is invisible to the user; it can only be opened using a torx key.

The tried-and-trusted concealed installation set

LINUS is combined with the tried-and-trusted SCHELL wall-installation set (variable installation depth from the tile front edge: 80 mm to 104 mm). All components inc. the cartridge are already pre-assembled (Fig. 1). During the roughing-in phase, the wall-installation set is mounted; the prefab kit is used during the prefab phase. The spray water adhesive flange (accessories) must also be used for waterproofing in the case of dry constructions

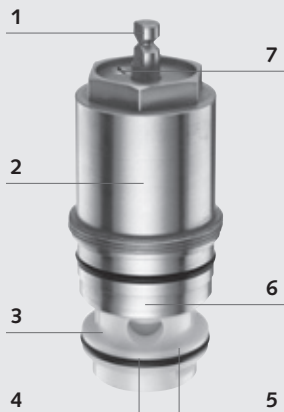


Operation with pre-mixed or cold or mixed water

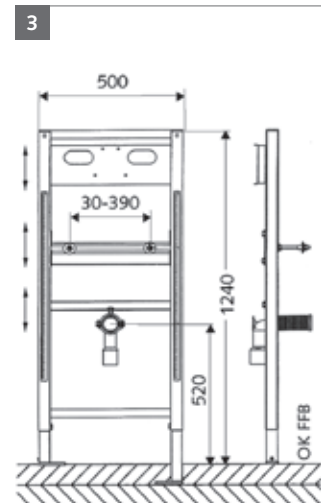
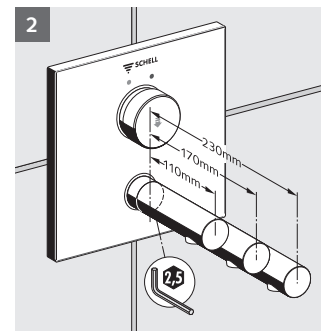
LINUS is available in designs for premixed/cold water and for mixed water. Starting with the installation heights of the wash basins (observe information from the manufacturer), we recommend installing the draw-off tap approx. 150 mm above the upper edge of the basin. However, the front plate must be installed at least 105 mm above the upper edge of the basin.

High operational reliability

The innovative SCHELL SC II cartridge technology is also used in the LINUS series. Benefits of the removable cartridge: minimal triggering pressure, simple mixed-water regulation, easy to service and equipped with nozzle cleaning pin and flush nozzle.



- 1 Mixed water handle fixing (LINUS WB-SC-M)
- 2 Plunger chamber
- 3 Mixed water temperature control (LINUS WB-SC-M)
- 4 Hot water inlet
- 5 Cold water inlet
- 6 Mixed water outlet channel (LINUS WB-SC)
- 7 Flow time adjustment (LINUS WB-SC)



Dimension drawing

Variable draw-off lengths

LINUS wall-mounted draw-off outlets for mixed water (W-EH-M) are available in three draw-off lengths (110 mm, 170 mm and 230 mm) (Fig. 2).

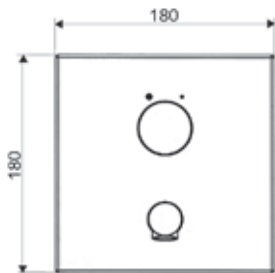
Mounting module for easy installation

SCHELL has developed a mounting module for LINUS to make installation straightforward (Fig. 3). The module has a pre-assembled crossbrace for mounting the LINUS wall-installation set. The wall-installation set can be mounted to the crossbrace using the enclosed fixing material, aligned in terms of height (draw-off outlet centred) and fixed into place. In addition, there is a mounting for washbasins available. The mounting feet and the wall brackets (accessories) are fitted with sound-insulating plastic elements. See also page 75.

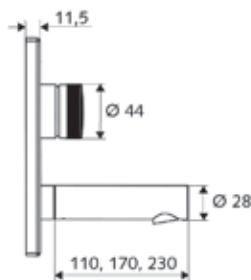
Wall-mounted draw-off taps



Type W-SC-M



Dimensioning: front view



Dimensioning: side view

LINUS concealed wall-mounted draw-off outlet + masterbox

Features

Combination of self-closing wall-mounted draw-off tap finishing set and corresponding concealed masterbox

Designs			
Wall-mounted draw-off outlet type	W-SC-M	W-SC-V	
Area of use	Self-closing - mixed (hot and cold) water	Self-closing pre-mixed/ cold water	
Flow volume	5 l/min (irrespective of pressure)	5 l/min (irrespective of pressure)	
Material	Front stainless steel plate, knob, spout and draw-off made of chrome-plated brass		
Corresponding masterbox	WBW-SC-M	WBW-SC-V	
Flow volume	15 l/min at 3 bar flow pressure	15 l/min at 3 bar flow pressure	
Flow pressure	1.0 - 5.0 bar	1.0 - 5.0 bar	
Water temperature	5 - 45°C (70°C, temporarily)	Pre-mixed water	
Flow time	2 - 15 s	2 - 15 s	
Dimensions	149 x 138 x 120 mm	149 x 138 x 120 mm	
Installation depth	80 - 104 mm	80 - 104 mm	
Water connections	3 x G 1/2 FT (DIN ISO 228-1)	2 x G 1/2 FT (DIN ISO 228-1)	
Material	Water path made from dezincing resistant brass		
Noise class	I	I	
Test symbol	P-IX 18008/IA	P-IX 18008/IA	

Scope of delivery for wall-mounted draw-off outlet prefab set

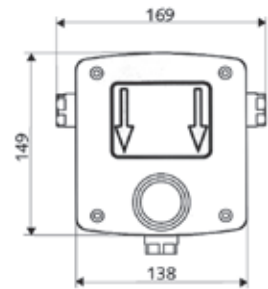
- Front plate 180 mm x 180 mm x 11.5 mm
- Mounting frame with fastening material
- Self-closing head with spout (with temperature limit SC-M)
- Straight wall-mounted draw-off tap with spray regulator (theft-proof) 6.0 l/min



Type WBW-SC-M

Item No. (chrome version)		
Type	Prefab kit W-SC-M	Prefab kit W-SC-V
110 mm draw-off outlet	Item No. 01 836 06 99	Item No. 01 839 06 99
170 mm draw-off outlet	Item No. 01 837 06 99	Item No. 01 840 06 99
230 mm draw-off outlet	Item No. 01 838 06 99	Item No. 01 841 06 99

Item No. (stainless steel version)		
Type	Prefab kit W-SC-M	Prefab kit W-SC-V
110 mm draw-off outlet	Item No. 01 836 28 99	Item No. 01 839 28 99
170 mm draw-off outlet	Item No. 01 837 28 99	Item No. 01 840 28 99
230 mm draw-off outlet	Item No. 01 838 28 99	Item No. 01 841 28 99

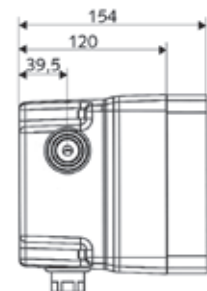


Dimensioning: front view

- Accessories for all types** (for concealed installation depths that are too deep)
- SCHELL extension cartridge 35 mm for W-SC-M, Item No. 01 870 06 99
 - SCHELL extension cartridge 50 mm for W-SC-M, Item No. 01 864 06 99
 - SCHELL extension set 25 mm for W-SC-M, Item No. 01 872 06 99
 - SCHELL extension set 50 mm for W-SC-M, Item No. 01 873 06 99

Masterbox scope of delivery

- Fitting pre-assembled in a plastic concealed box with sealed casing attachments
- Self-closing cartridge SC II-M/self-closing cartridge SC II-V
- Isolating valve, pre-filter, backflow preventer, through-flow connection piece, fastening material and protective cover



Dimensioning: side view

Item No.		
Type	WBW-SC-M	WBW-SC-V
Masterbox	Item No. 01 828 06 99	Item No. 01 829 06 99

- Necessary accessories (for installing in dry constructions)**
- SCHELL spray water adhesive flange (Dimensions 425 x 425 mm), Item No. 01 857 00 99

- Accessories for all types**
- SCHELL LINUS wash basin mounting module, Item No. 03 256 00 99
 - SCHELL wall mounting set (wall-mounted installation), Item No. 03 258 00 99

Wall-mounted draw-off taps



• **This is how it works:**

In contrast to conventional double-handle fittings, SCHELL single-lever mixers enables users to set the required water volume and temperature very easily. All it takes is the twist of a hand.

It's all in the mixture.

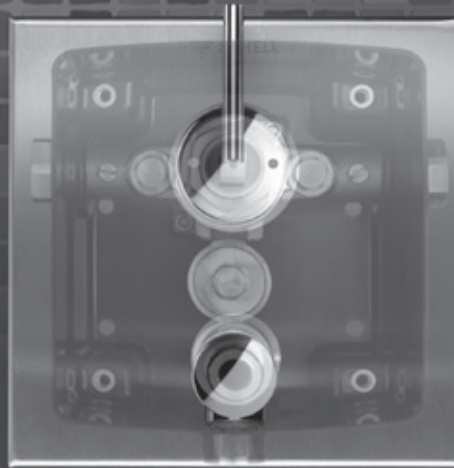
Wall-mounted draw-off taps with single-lever mixers by SCHELL.

Whether in hotels, spa facilities or kitchens – wall-mounted draw-off taps from SCHELL have been developed for a multitude of applications. They combine two contradictory requirements perfectly: mechanically regulating the flow of water and a high standard of design. Thanks to spray regulators (5 l/min) not dependent on water pressure, robust all-metal construction and ceramic cartridge with hot water and through-flow limiter, they

ensure many years of reliable continuous operation – even where users are not so careful in their treatment of sanitary facilities.

Wash basin fittings with single-lever mixer are particularly suited to:

- Semi-public sanitary rooms
- Hotel rooms
- Kitchens
- Laboratories
- Private bathrooms
- And much more!



LINUS single-lever (concealed wall-mounted draw-off tap)

Highlights:

- Stylish single-lever mixer for concealed installation
- Durable all-metal construction
- Robust front plates made of stainless steel or chrome-plated brass
- Theft-proof spray regulator
- Reliable cartridge technology without outside energy
- Simple installation with wall-installation set
- Variable draw-off lengths

Stylish design

Clear design and top-quality front panels make LINUS an eye-catcher in every sanitary room. The single-lever mixer is particularly suited to use with all surface-mounted wash basins, which could only otherwise be used in conjunction with fittings with base extensions.

Convenient operation

You can conveniently regulate the temperature with the lever until the water reaches the temperature you require. The fitting also features a hot-water limiter.

Water-saving setting for the flow volume

After removing the actuation handle with a screwdriver, the flow volume can be reduced.

Vandal-proof quality

All-metal design, stainless steel front plates with concealed fixings, reinforced solid brass draw-off outlet fixture and theft-proof spray regulator and solid chrome-plated brass outlet protect the LINUS effectively from damage caused by vandalism.

The tried-and-trusted concealed installation set

The LINUS is combined with the tried-and-trusted SCHELL concealed installation set, with which all components inc. the cartridge are pre-assembled (Fig. 1). The installation depth can vary between 80 mm and 104 mm (front edge of tiles). To consider during dry construction: additionally attaching the spray water adhesive flange for waterproofing.

Mixed-water operation

The single-lever design of the LINUS can be used in conjunction with high-pressure mixed water.

Temperature range options

The fitting can be set to 3 setting ranges as required (1st middle position: warmer, 2nd middle position: warmer/colder, 3rd middle position: colder).

Variable draw-off lengths

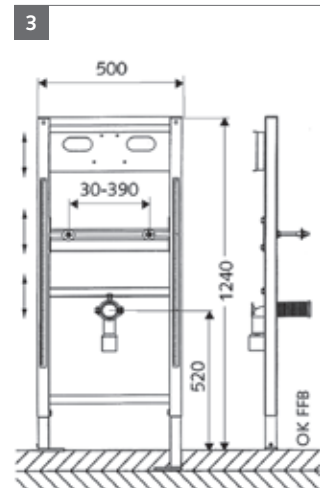
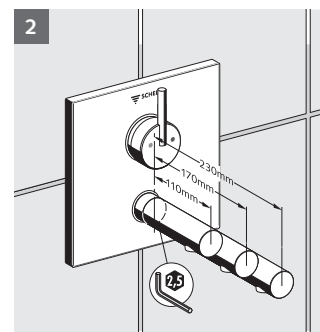
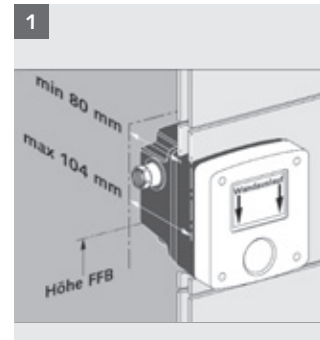
The single-lever fitting versions for mixed water (W-EH-M) are available in three draw-off lengths (110 mm, 170 mm and 230 mm) (Fig. 2).

Installation height

The LINUS should be installed approx. 150 mm above the upper edge of the basin (using the installation heights for the wash basin as a basis). The following applies when installing the front plate: at least 105 mm above the upper edge of the basin.

Mounting module for easy installation

SCHELL has developed a mounting module for LINUS to make installation straightforward (Fig. 3). It has a pre-assembled crossbrace for mounting the LINUS concealed installation set. The concealed installation set can be mounted on to the crossbrace using the enclosed fixing material and aligned in terms of height (draw-off outlet centred) and fixed into place. The mounting feet and the wall brackets (accessories) are fitted with sound-insulating plastic elements. See also page 75.

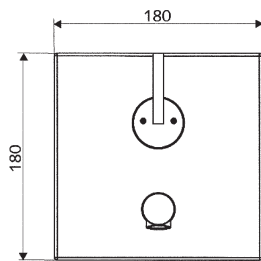


Dimension drawing

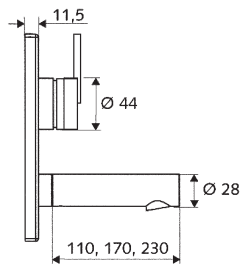
Wall-mounted draw-off taps



Type W-EH-M



Dimensioning: front view



Dimensioning: side view

LINUS W-EH-M + Masterbox

Features

Single-lever, wall-mounted draw-off tap finishing set for WBW-EH-M built-in masterbox with straight draw-off tap

Design

Wall-mounted draw-off outlet type	W-EH-M	
Area of use	Single-lever mixed water	
Flow volume	5 l/min (irrespective of pressure)	
Material	Front stainless steel plate, knob, spout and draw-off made of chrome-plated brass	

Corresponding masterbox	WBW-EH-M	
Flow volume	≤ 15 l/min at 3 bar flow pressure (TW)	
Flow pressure	1.0 - 5.0 bar	
Water temperature	5 - 45°C (70°C, temporarily)	
Flow time	–	
Dimensions	149 x 138 x 120 mm	
Installation depth	80 - 104 mm	
Water connections	G ½ IG	
Material	Water path made from dezincing resistant brass	
Noise class	I	
Test symbol	P-IX 18008/IA	

Scope of delivery for wall-mounted draw-off outlet prefab set

- Front plate 180 mm x 180 mm x 11.5 mm
- Mounting frame with fastening material
- Single lever handle with spout
- Straight wall-mounted outlet with spray regulator (theft-proof)

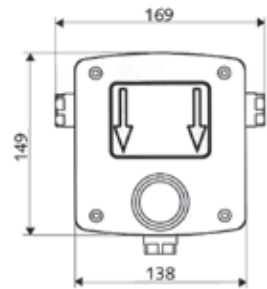


Type WBW-EH-M

Item No.		
Type	W-EH-M (chrome)	W-EH-M (stainless steel)
110 mm draw-off outlet	Item No. 01 893 06 99	Item No. 01 893 28 99
170 mm draw-off outlet	Item No. 01 894 06 99	Item No. 01 894 28 99
230 mm draw-off outlet	Item No. 01 838 06 99	Item No. 01 838 28 99

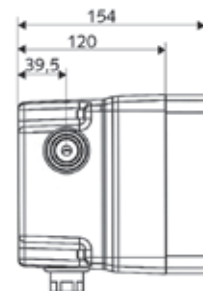
Masterbox scope of delivery

- Concealed installation box, fittings casing, wall-mounted outlet adapter
- Single lever ceramic cartridge with hot water limiter and variably adjustable volume limiter
- Isolating valve, pre-filter, backflow preventer, through-flow connection piece, fastening material and protective cover



Dimensioning: front view

Item No.	
Type	WBW-EH-M
Masterbox	Item No. 01 892 06 99



Dimensioning: side view

Necessary accessories (for installing in dry constructions)

- SCHELL spray water adhesive flange (Dimensions 425 x 425 mm), Item No. 01 857 00 99

Accessories for all types

- SCHELL LINUS wash basin mounting module, Item No. 03 256 00 99
- SCHELL wall mounting set (wall-mounted installation), Item No. 03 258 00 99

Components for wash basin fittings by SCHELL at a glance

Angle valve thermostat



Angle valve thermostat
Page 74

Mounting modules



ENSEMBLE wash basin
assembly module
Page 76



Barrier-free wash basin
assembly module
Page 76



LINUS wash basin
assembly module
Page 77

Angle valves/siphons



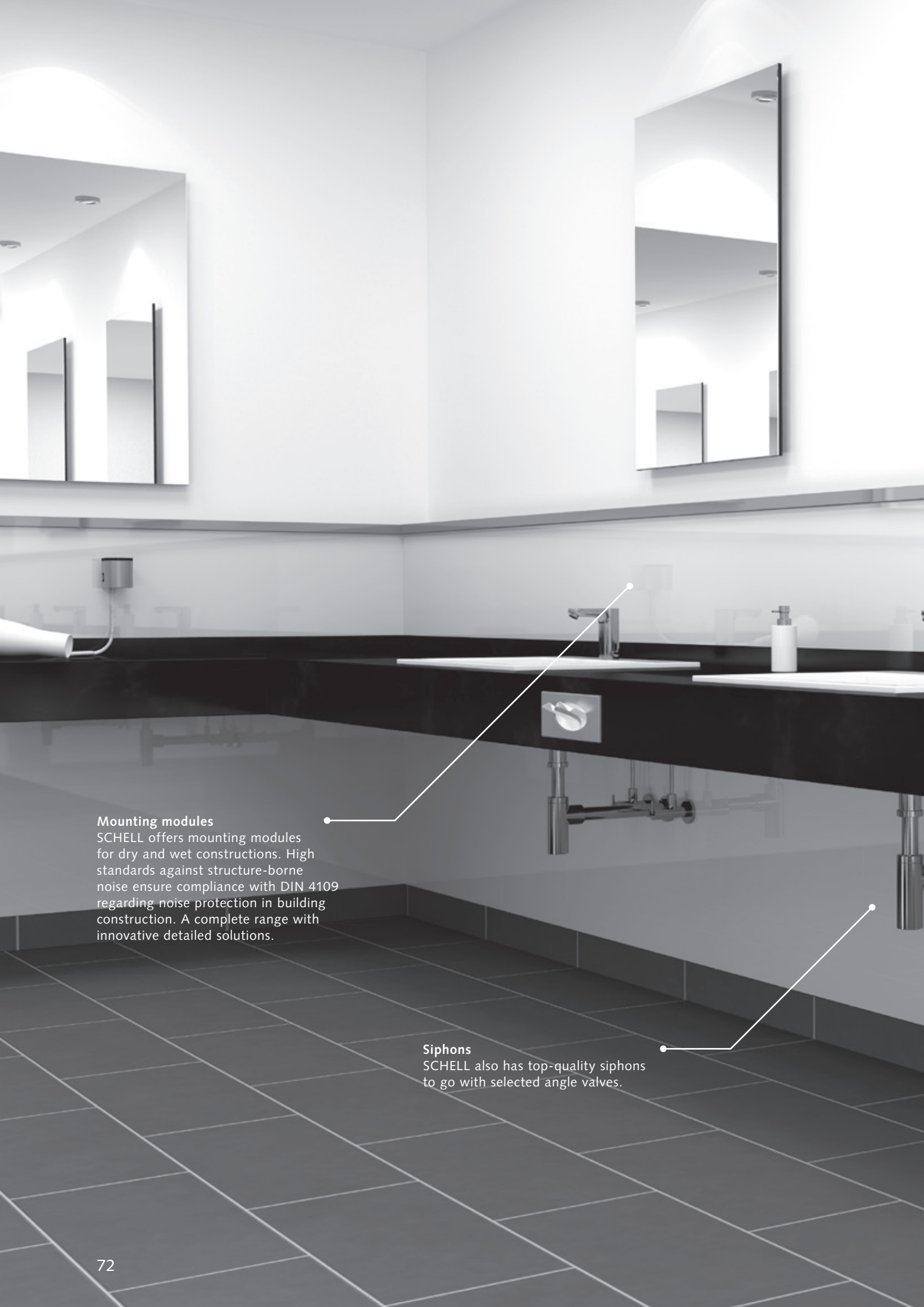
Angle valves and design
angle valves
Page 78



Angle valve sets
Page 80



Siphons
Page 81



Mounting modules

SCHELL offers mounting modules for dry and wet constructions. High standards against structure-borne noise ensure compliance with DIN 4109 regarding noise protection in building construction. A complete range with innovative detailed solutions.

Siphons

SCHELL also has top-quality siphons to go with selected angle valves.

Everything from one source.
Components complimentary to wash basin fittings.
By SCHELL.

Angle valves/angle valve sets

The most comprehensive range for all applications in outstanding quality. Tailored to requirements, available with integrated backflow preventer or filter, water-saving, design oriented and in noise class I depending on the model.

Angle valve thermostat

There is the possibility to install the SCHELL angle valve thermostat above the angle valve with no extra effort. This ensures pleasant water temperatures while providing protection against scalding and legionella.



Angle valve thermostat

Highlights:

- Expanding-material thermostat in accordance with EN 1111
- Limits maximum draw-off temperature
- Scald protection in the event of the cold water supply failing
- Individual temperature adjustment
- Option of thermal disinfection
- Easy installation
- Also ideal for retrofitting

The perfect solution for scald protection

High temperatures may arise in a drinking water system unintentionally due to the installation. This runs the risk of scalding. For this reason, draw-off temperatures are limited in residential nursing homes and nurseries in accordance with the ordinance governing workplaces. Conventional fittings cannot meet these requirements. This means that draw-off taps may only be used in conjunction with temperature limiters, integrated scald protection or thermostat fittings on the angle valves in these establishments. Central mixers are not permitted in the specified application areas for hygienic reasons and in accordance with the stipulation in the **VDI directive 6023** (Hygiene in drinking water installations).

With its the angle valve thermostat, SCHELL is offering a reliable, easy to install and visually attractive solution for scald protection. The thermostat ensures that the water at the draw-off outlet maintains a constant temperature of e.g. 38°C – irrespective of pressure fluctuations. The temperature you require can be changed at any time. We have even thought about this: If the cold water should drop out at all, the fitting closes right away automatically. This means the angle valve thermostat fulfils **EN 1111** (thermostatic mixers) while at the same time ensuring a flow rate of up to 13 l/min at 3 bar.

Possible at any time: thermal disinfection.

It is a known risk: If warm water remains stagnant in the pipes for a long period of time, it can become contaminated. For this reason, the **DVGW worksheet W 551** (Technical measures for avoiding the spread of legionella) stipulates a minimum temperature of 60°C at the hot water outlet for large scale systems. This temperature is also recommended for small-scale systems; operating temperatures below 50°C should be avoided at all cost.

And this is where the angle valve thermostat from SCHELL can score points. This is because the thermal disinfection of the hot water lines right to the tap point can be carried out effortlessly at any time despite temperature control. After all, the thermostat for the angle valve can be easily bypassed with the quick-release lever supplied. Practical and time-saving: On completion of thermal disinfection, you do not have to reset the temperature you require.

Typical areas of use

Angle valve thermostats are recommended for use in schools, nurseries, residential nursing homes, hotels etc.

Simple installation

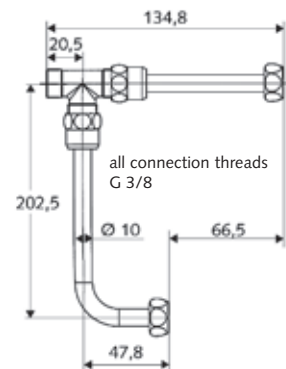
This equipment is installed above the angle valve for the hot water line with a connection to the cold water line. SCHELL has a pipe set to make installation as simple as possible. The set contains ready-made copper pipes and connectors – so that the user can soon look forward to the best safety and the highest level of user convenience.

Designs

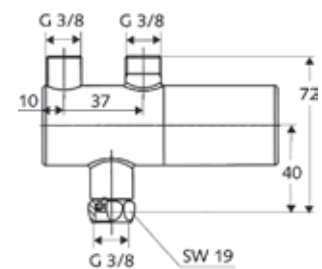
- Angle valve thermostat including filter inserts and backflow preventer (RV), Item No. 09 406 06 99
- Pipe set comprising cold water branch pipe & hot water connection pipe with retaining nut and T-fitting with 2 high tensile compression connections with length compensation, Item No. 04 109 06 99
- Angle valve thermostat set (comprising angle valve thermostat and pipe set), Item No. 09 410 06 99



Setting the required draw-off temperature



Dimensioning: side view



Dimensioning: side view



Angle valve thermostat set comprising angle valve thermostat and pipe set



ENSEMBLE wash basin assembly module

Features

Assembly module for free-standing or wall-mounted installation; self-supporting sectional steel frame (powder-coated surface) with height-adjustable, structure-borne noise insulated feet; for SCHELL wash basin fittings EDITION/ZOOM design angle valve ensemble.

Model

ENSEMBLE Item No. 03 271 00 99

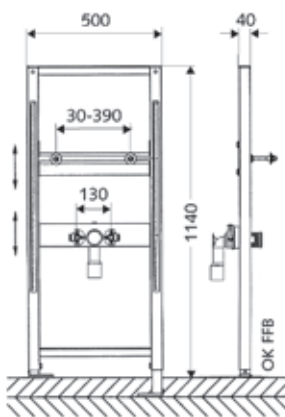
Area of use For wash basins with single hole fittings.

Scope of delivery

- Siphon elbow \varnothing 50 mm with siphon rubber and construction plug
- Horizontal scale for accurate adjustment
- Fastening material for mounting feet and post-and-beam structures
- Wash basin fastening bolts M 10 x 110 mm, with protective hose, nuts and cover caps

Accessories

- For wall-mounting installation, wall mounting set, Item No. 03 258 00 99
- EDITION design angle valve ensemble, Item No. 05 325 06 99
- ZOOM design angle valve ensemble, Item No. 05 334 06 99



Barrier-free wash basin assembly module

Features

Assembly module for free-standing or wall-mounted installation; self-supporting sectional steel frame (powder-coated surface) with height-adjustable, structure-borne noise insulated zinc-dipped feet.

Model

Obstruction-free Item No. 03 255 00 99

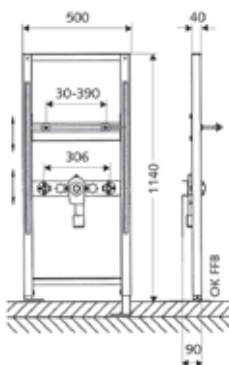
Area of use • For wash basins with single hole fitting and concealed siphon

Scope of delivery

- UP dirty-water siphon, \varnothing 50 mm, siphon pipe (provided by the customer) \varnothing 40 mm, HAAS
- Wash basin fastening bolts M 10 x 110 mm, with protective hose, nuts and cover caps

Accessories

- For wall-mounting installation, wall mounting set, Item No. 03 258 00 99



LINUS wash basin assembly module

Features

For wash basins with wall-mounted draw-off outlet; assembly module for free-standing or wall mounting installation; self-supporting sectional steel frame (powder-coated surface) with height-adjustable; structure-borne noise insulated zinc-dipped feet, for SCHELL concealed masterboxes WBW-SC-M/WBW-SC-V/WBW-EH-M.

Model

LINUS Item No. 03 256 00 99

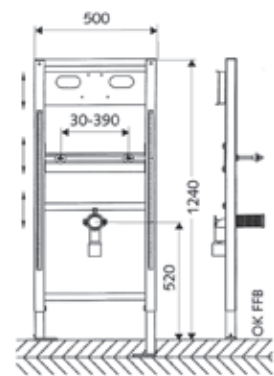
Area of use For wash basins with wall-mounted draw-off tap

Scope of delivery

- Siphon elbow Ø 50 mm with siphon rubber and construction plug
- Horizontal scale for accurate adjustment
- Fastening material for mounting feet and post-and-beam structures
- Wash basin fastening bolts M 10 x 110 mm, with protective hose, nuts and cover caps

Accessories

- For wall-mounted installation, wall mounting set, Item No. 03 258 00 99
- Concealed masterbox WBW-SC-M Item No. 01 828 06 99
- Concealed masterbox WBW-SC-V Item No. 01 829 06 99
- Concealed masterbox WBW-EH-M Item No. 01 892 06 99



Wash basin mounting module

Features

Assembly module for free-standing or wall-mounted installation; self-supporting sectional steel frame (powder-coated surface) with height-adjustable, structure-borne noise insulated zinc-dipped feet

Model

Wash basin mounting module Item No. 03 232 00 99

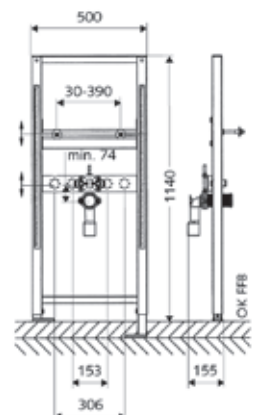
Area of use For wash basins with single hole fittings.

Scope of delivery

- Fastening material for mounting feet and post-and-beam structures
- Noise insulated fittings connections T 1/2 FT made from dezincing resistant brass, height adjustable

Accessories

- For wall-mounting installation, wall mounting set, Item No. 03 258 00 99



Just the right thing: Angle valves and siphons. By SCHELL.



Angle valve

SCHELL regulating angle valve COMFORT

- COMFORT handle
- Long stem
- Push-on rosette Ø 54 mm
- DN 15 G ½ AG x DN 10 G ¾ AG

Item No. 04 907 06 99



Angle valve

SCHELL regulating angle valve QUICK COMFORT

- Push-fit technology
- Non-detachable, pull- and twist-proof installation into the QUICK Adapter
- DN 15 G ½ AG x DN 10 G ¾ AG

Item No. 05 304 06 99



Angle valve

SCHELL angle valve with normal filter

- Other filter angle valves at www.schell.eu
- DN 15 G ½ AG x DN 10 G ¾ AG

Item No. 04 948 06 99



Angle valve

SCHELL regulating angle valve COMFORT

- COMFORT handle
- Long stem
- Push-on rosette Ø 54 mm
- DN 15 G ½ AG x DN 10 G ½ AG

Item No. 05 217 06 99



Angle valve

SCHELL angle valve COMFORT

- With sanitary head part
- COMFORT handle
- DN 15 G ½ AG x DN 10 G ¾ AG

Item No. 09 656 06 99

Angle valve

SCHELL regulating angle valve CLASSIC

- Long stem
- Push-on rosette Ø 65 mm
- With ASAG
- DN 15 G ½ AG x DN 10 G ¾ AG

Item No. 05 172 06 99



Angle valve

SCHELL regulating angle valve RONDO

- Long stem
- Push-on rosette Ø 65 mm
- With ASAG
- DN 15 G ½ AG x DN 10 G ¾ AG

Item No. 05 152 06 99



Design angle valve

SCHELL design angle valve PURIS

- Long stem
- 100% metal construction
- sanitary grease chamber head part
- DN 15 G ½ AG x DN 10 G ¾ AG

Item No. 05 311 06 99



Design angle valve

SCHELL design angle valve CROSS

- Long stem
- 100% metal construction
- sanitary grease chamber head part
- DN 15 G ½ AG x DN 10 G ¾ AG

Item No. 05 310 06 99



Design angle valve

SCHELL design angle valve EDITION

- Design: • sieger design
- With ASAG
- Grease chamber spindle
- DN 15 G ½ AG x DN 10 G ¾ AG

Item No. 05 320 06 99



ASAG



Design angle valve

SCHELL design angle valve ZOOM

- Design: • sieger design
- With ASAG
- High tensile cone compression connection with length compensation
- DN 15 G ½ AG x DN 10 G ¾ AG

Item No. 05 332 06 99

WITH
FILTER

Design angle valve

SCHELL design angle valves LINE

- With filter: Item No. 05 366 06 99
- Without filter: Item No. 05 365 06 99
- With concealed port thread
- DN 15 G ½ AG x DN 10 G ¾ AG

Item No. 05 366 06 99



Design angle valve

SCHELL design angle valves QUAD

- High tensile cone compression connection with length compensation
- Solid actuation handle made of chrome, Item No. 05 362 06 99
- With glass inlay, Item No. 05 363 06 99
- With wood inlay, Item No. 05 364 06 99
- DN 15 G ½ AG x DN 10 G ¾ AG

Item No. 05 003 06 99

ASAG



Design angle valve set

SCHELL design angle valve Set EDITION

- Design: • sieger design
- With ASAG
- Connection set for wash basins

Item No. 05 321 06 99

ASAG



Design angle valve set

SCHELL design angle valve set ZOOM

- Design: • sieger design
- With ASAG
- Connection set for wash basins

Item No. 05 333 06 99

Design angle valve ensemble

SCHELL design angle valve ensemble model EDITION

- Design: • sieger design
- With ASAG
- Design connection for wash basins

Item No. 05 325 06 99

ASAG



Design angle valve ensemble

SCHELL design angle valve ensemble model ZOOM

- Design: • sieger design
- With ASAG
- Design connection for wash basins

Item No. 05 334 06 99

ASAG



Design siphon

SCHELL design siphon QUAD

- Polished brass casing and pipes
- Brass rosette with sliding ring

Item No. 01 505 06 99



Wash basin drain valve

SCHELL wash stand outlet valve QUAD PUSH OPEN

- Lockable drain valve G 1¼ AG with snap-fit closing for wash basins with overflow opening
- Flow rate 20 l/min

Item No. 02 001 06 99



Wash basin drain valve

SCHELL wash stand outlet valve QUAD OPEN

- Non-lockable universal drain valve G 1¼ AG for wash basins
- Flow rate 20 l/min

Item No. 02 003 06 99





www.schell.eu

The address with which professional plans can be made. Have we sparked your interest? On our homepage, you will find much more information about our products, specifications and installation techniques. Why not just click your way through the site!



www.schell.eu

At www.schell.eu, you will find every important detail about our sanitary draw-off taps.



www.ausschreiben.de

Online, practice-relevant and always up-to-date: Specifications by SCHELL.

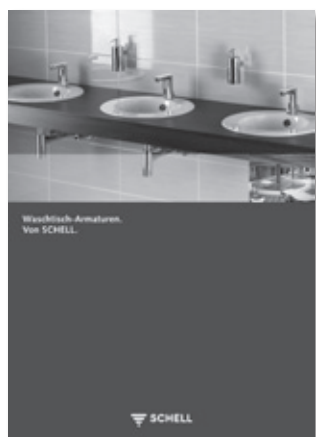


Installation instructions

Available for each individual product: The assembly instructions downloadable by SCHELL.



SCHELL complete catalogue



Wash basin fittings



Exposed wall-mounted systems.

The perfect addition: important brochures about wash basin fittings by SCHELL – also available to download.















Angle valves

A symbol says more than 1000 words.

E	Electronic, contact-free wash basin tap
HD-K	High-pressure cold or pre-mixed water
HD-M	High-pressure cold and hot water mixer
K	Cold and pre-mixed water
M	Cold and hot water mixer
ND-M	Low-pressure cold and hot water mixer
P	Electronic self-closing tap with piezoelectric button
SC	Mechanically self-closing tap
SC-K	Mechanically self-closing tap for cold or pre-mixed water
SC-M	Mechanically self-closing cold and hot water mixer
V	Tap for pre-mixed or cold water
W	Wall-mounted draw-off tap
WBW-EH-M	Built-in wall unit masterbox for wall-mounted tap LINUS single-lever mixer
WBW-SC-M	Built-in wall unit masterbox for wall-mounted tap LINUS SC (self-closing) mixed water
WBW-SC-V	Built-in wall unit masterbox for wall-mounted tap LINUS SC (self-closing) pre-mixed or cold water
W-EH-M	Finishing set for wall-mounted tap LINUS single lever, mixed water
W-SC-M	Finishing set for wall-mounted tap LINUS SC (self-closing), mixed water
W-SC-V	Finishing set for wall-mounted tap LINUS SC (self-closing) pre-mixed or cold water

LEGEND

	Pressure range from 1 to 5 bar
	Maximum draw-off temperature 70°C
	Stagnation flush every 24 hours, approx. 20 seconds
	Tap drips when open water heater is heating
	Flow 6 l/min
	Minimum temperature setting
	Maximum temperature setting
	Flow time 3 seconds
	to
	Flow time 15 seconds, selectable
	Allen key, size 2.5 mm
	Open-ended spanner, size 13 mm
	Power supply: battery or mains power

Figures, dimension and weights as well as descriptions are non-binding and are subject to technical advances.



SCHELL GmbH & Co. KG
Armaturentechnologie
Raiffeisenstraße 31
57462 Olpe
Germany
Tel. +49 (0) 27 61/8 92-0
Fax +49 (0) 27 61/8 92-1 99
info@schell.eu
www.schell.eu

