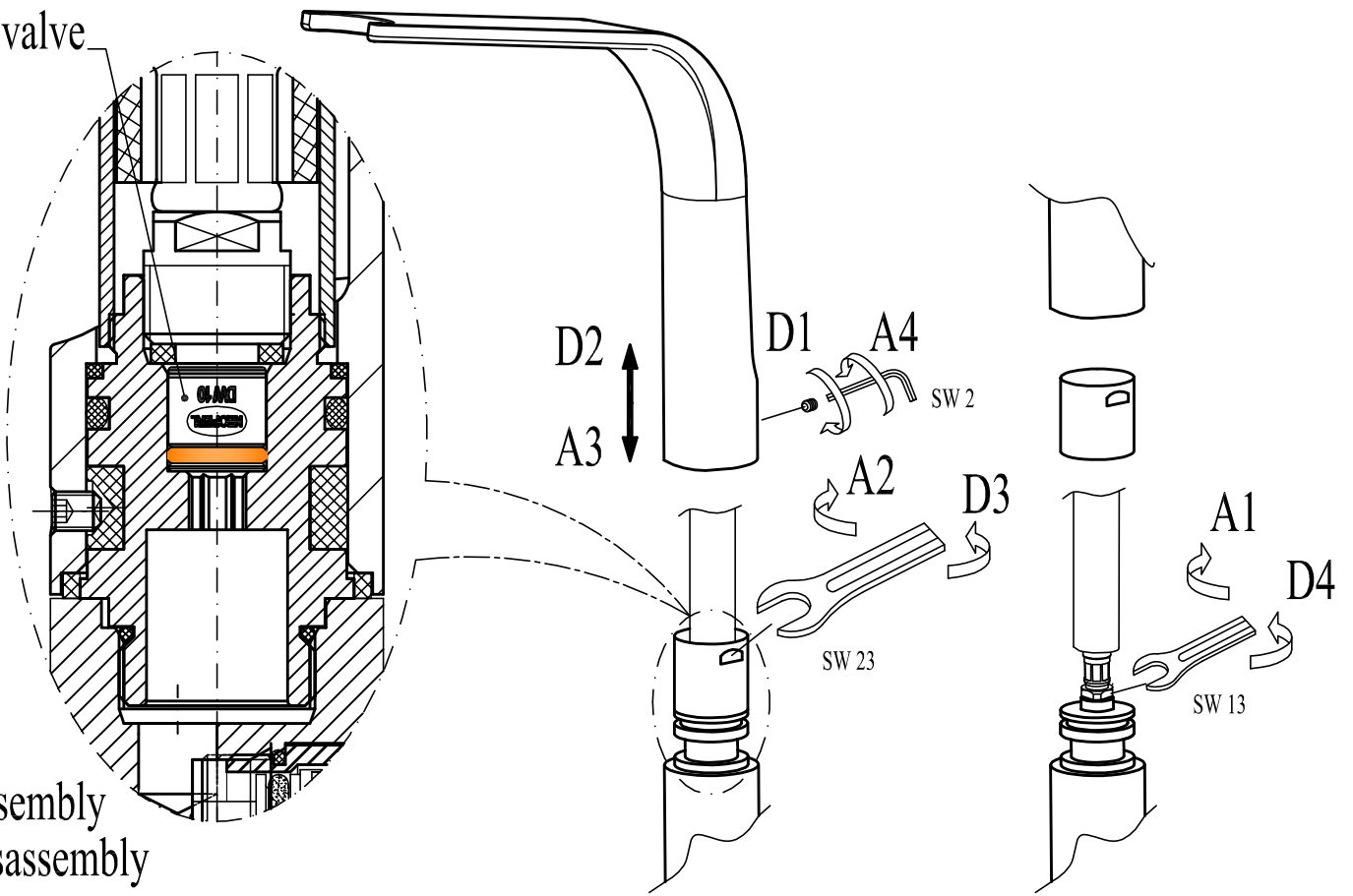


A-D

Check valve



A : Assembly  
D : Disassembly

**ATTENTION!**

Not manipulate.  
Piece is complete.

