

AXOR Universal Accessories

Roll holder with cover

Surfaces: **Chrome** Article Number: **42836000**



Description

product features

- drilling distance 35 mm
- material: metal
- wall-mounted
- mirror-inverted installation possible
- combinable with soap dish / shelf no.42803000 and shelf 300 mm no.42838000 (adapter set no.42870000 necessary)

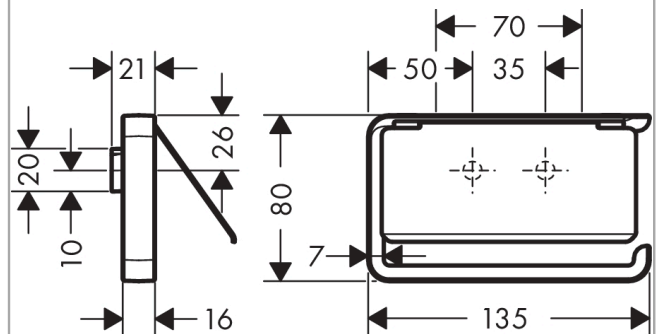
Design awards



Product image



Scale drawing



AXOR Universal Accessories

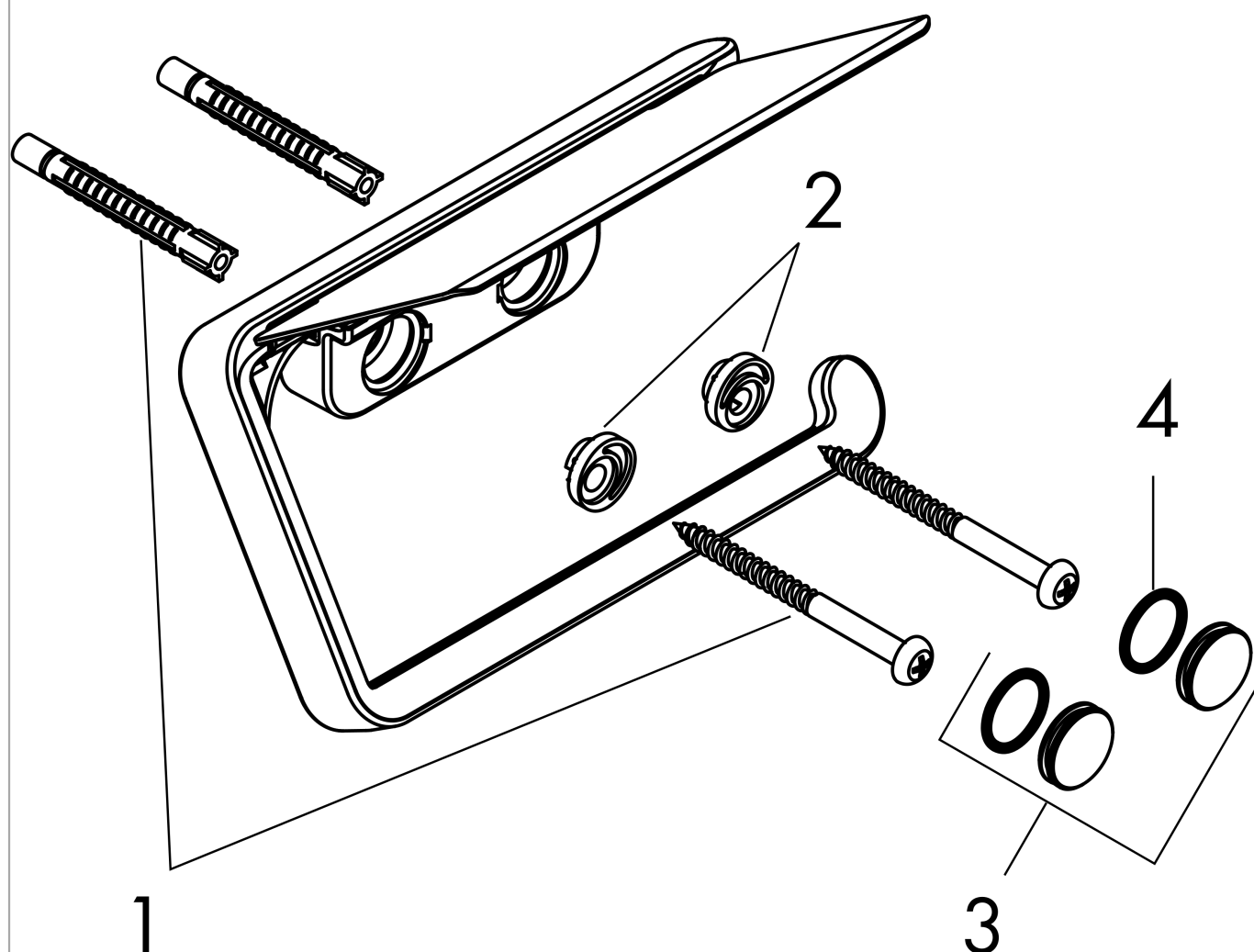
Roll holder with cover

Surfaces: **Chrome** Article Number: **42836000**



Exploded Drawing

Year of production: >11/14



AXOR Universal Accessories

Roll holder with cover

Surfaces: **Chrome** Article Number: **42836000**



Spare part list

Year of production: >11/14

Pos.	Description	Article Number	PC	PU
1	mounting set	40915000	0	1
2	excentric socket	97604000	0	1
3	set of covers	92437000	0	1
4	O-ring 13x1,5	98475000	0	1
a	set of adapters	42870000	0	1