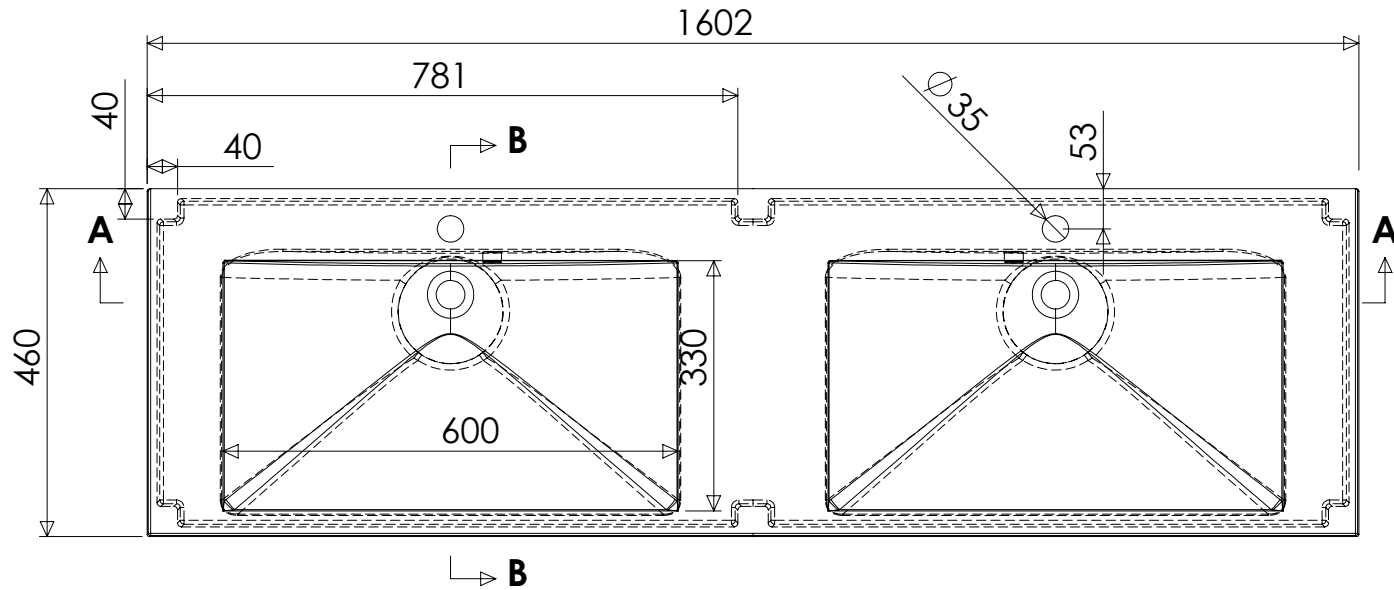
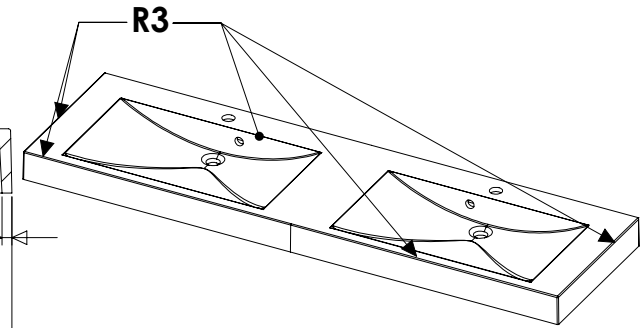
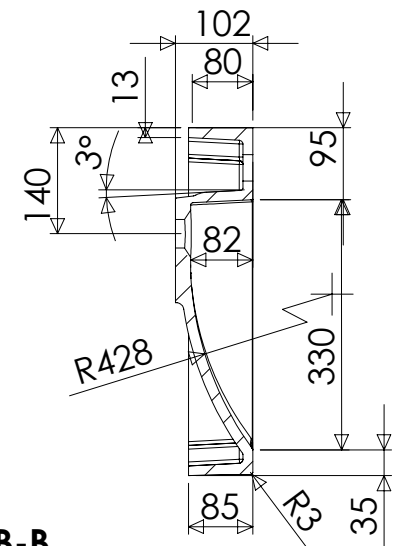


SECTION A-A



SECTION B-B



| | | | | | |
|---------------------------------|--------------|--|---------------------|--|-----------------------|
| Tolerance length | +3/-0 mm | | Skala 1:5 | | 1602 |
| Tolerance length granite | +1,5/-1,5 mm | | | 6010031642xx 1602 x 460 | ErsÖtter |
| Tolerance taphole location | +3/-3 mm | | | | |
| Variation overflowhole location | +3/-3 mm | | | | |
| Tolerance plane bending | +1,5/-1,5 mm | | | | |
| | | | | | Ritning 1:6 |